

Style
M12 Plug, shielded
8 pin
X-coding

Ratings
Voltage: 48 V
Current: 0.5 A

Operating Temperature Range
-40~105°C

Materials
① Insulator: Polyamide 66 (PA66), UL94 HB, black
② Pin: C3604 Brass, gold flashing
③ M12 Shell: Zinc Alloy, nickel plated
④ Outer Shell: Zinc Alloy, nickel plated
⑤ Collet nut: Zinc Alloy, nickel plated
⑥ Collet: Polyamide 66 (PA66), UL94 HB
⑦ O-ring: Nitrile rubber, black & green

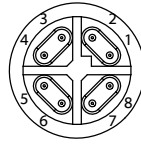
Electrical Requirements
Dielectric strength: 1 min @ 500 Vac
Insulation resistance: 100 MΩ @ 500 Vdc
Contact resistance: 10 mΩ or less

Mechanical Requirements
Life cycle: 500 mating cycles minimum

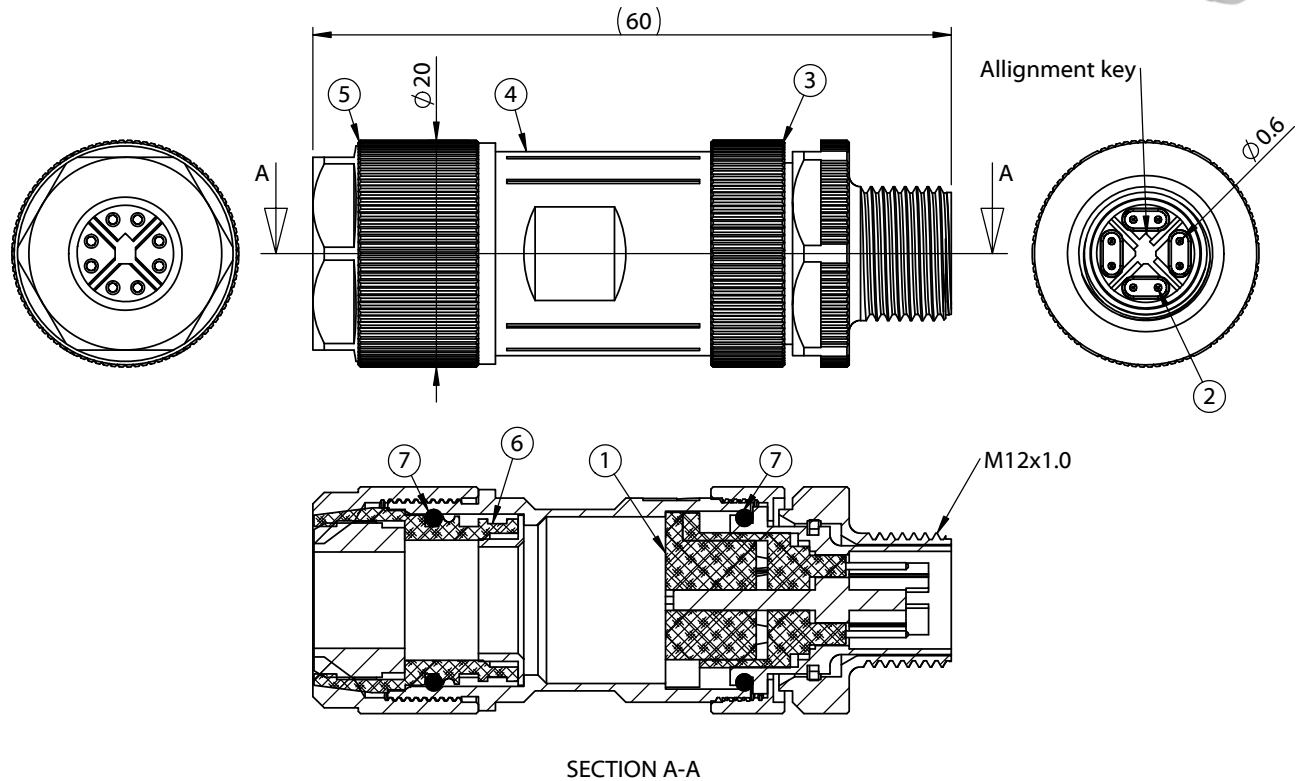
Environmental Requirements
Salt spray test: 35 °C, relative humidity 90-95%, 5% NaCl mist for 48 hrs. Wash parts after test. Maintain mechanical requirements and a contact resistance of less than 10 mΩ.
Waterproof: IP67

Assembly Info
Wire gauge: 24 AWG max
Wire size: $\phi 6 \sim 8$ mm

Transmission characteristics:
CAT6a



Front view
Not to Scale



Revision:	Date:	Description:
A	5/9/2023	Initial release

Prepared:

Verified:

Dimensions are in millimeters.
Tolerances:
X: ± 0.3 mm
X.X: ± 0.1 mm
X.XX: ± 0.05 mm

Notes:

RoHS compliant

Function test: no open, no short circuit, no intermittent

Description:
Connector, 8 pin M12 X-code plug, L60 mm, gold plated, crimp, assembly style, IP67, shielded

TENSILITY

tel 1.541.323.3228 800 877.670.7118
fax 1.541.323.4202 web tensility.com

Size: A Part number: 55-00192

Scale: 3:2

Sheet 1 of 1