

Style
M12 Socket, shielded
8 pin
X-coding

Ratings
Voltage: 48 V
Current: 0.5 A

Operating Temperature Range
-40~105°C

Materials
① Insulator: Polyamide 66 (PA66) glass fiber, UL94 HB, black
② Pin: phosphor copper, gold plated
③ Cross shield: Zinc aluminum alloy, nickel plated
④ Shell: C3604 brass, nickel plated
⑤ Nut: C3604 brass, nickel plated
⑥ O-ring: Nitrite rubber, black and green

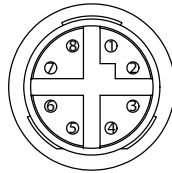
Electrical Requirements
Dielectric strength: 1 min @ 500 Vac
Insulation resistance: 100 MΩ @ 500 Vdc
Contact resistance: 5 mΩ or less

Mechanical Requirements
Life cycle: 500 mating cycles minimum

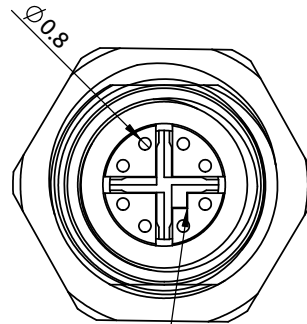
Environmental Requirements
Salt spray test: 35 °C, relative humidity 90-95%, 5% NaCl mist for 48 hrs. Wash parts after test. Maintain mechanical requirements and a contact resistance of less than 10 mΩ.
Waterproof: IP67 (in mated state). IP67 panel ingress requires sealing cap.

Assembly Info
Wire gauge: 24 AWG max
Wire size: Ø 7.5 mm max

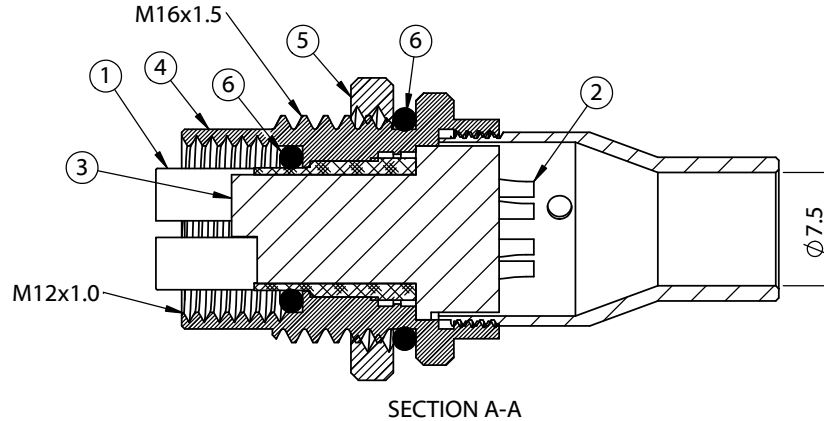
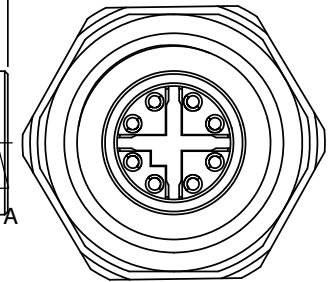
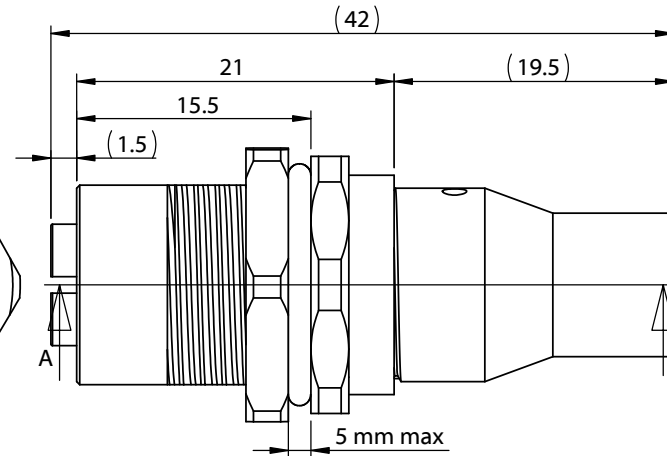
Transmission characteristics:
CAT6a



Front View
Not to Scale



Alignment key



Revision:	Date:	Description:
A	5/16/2023	Initial release

Prepared:

Verified:

Dimensions are in millimeters.
Tolerances:
X: ± 0.3 mm
X.X: ± 0.1 mm
X.XX: ± 0.05 mm

Notes:

RoHS compliant

Function test: no open, no short circuit, no intermittent

Description:
Connector, 8 pin M12 X-code socket, L40.5 mm, gold plated, panel mount, IP67, shielded

TENSILITY

tel 1.541.323.3228 800 877.670.7118
fax 1.541.323.4202 web tensility.com

Size: A Part number: 54-00398

Scale: 2:1

Sheet 1 of 1