

Style
M12 Plug, shielded
8 pin
X-coding

Ratings
Voltage: 48 V
Current: 0.5 A

Operating Temperature Range
-40~105°C

Materials
① Insulator: Polyamide 66 (PA66) glass fiber, UL94 HB, black
② Pin: phosphor copper, gold plated
③ Inner shielding: Zinc aluminum alloy, nickel plated
④ Shell: C3604 brass, nickel plated
⑤ Threads: C3604 brass, nickel chrome

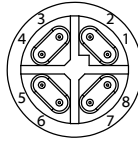
Electrical Requirements
Dielectric strength: 1 min @ 500 Vac
Insulation resistance: 100 MΩ @ 500 Vdc
Contact resistance: 5 mΩ or less

Mechanical Requirements
Life cycle: 500 mating cycles minimum

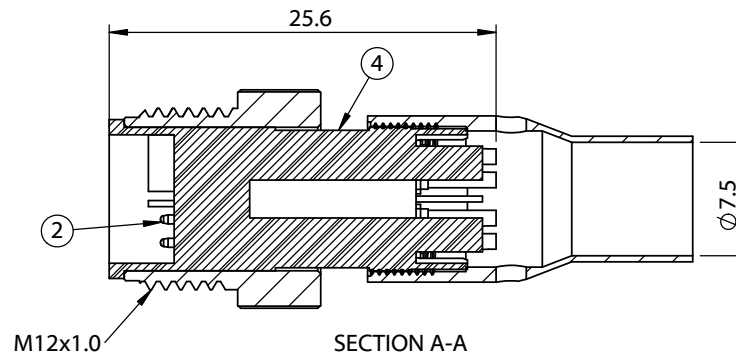
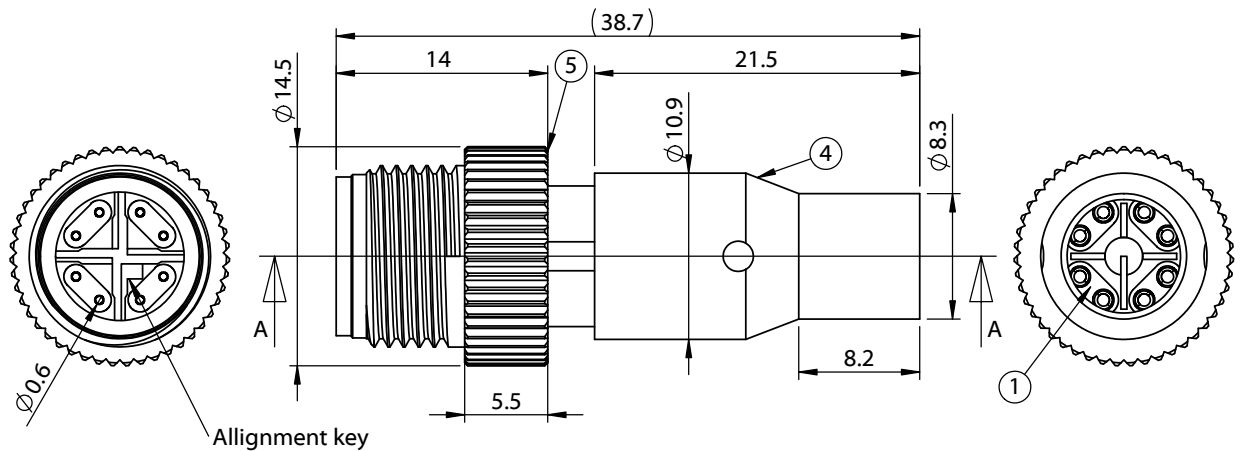
Environmental Requirements
Salt spray test: 35 °C, relative humidity 90-95%, 5% NaCl mist for 48 hrs. Wash parts after test. Maintain mechanical requirements and a contact resistance of less than 10 mΩ.
Waterproof: IP67

Assembly Info
Wire gauge: 24 AWG max
Wire size: ϕ 7.5 mm max

Transmission characteristics:
CAT6a



Front view
Not to Scale



Revision:	Date:	Description:
A	5/16/2023	Initial release

Prepared:
Verified:
Dimensions are in millimeters.
Tolerances:
X: \pm 0.3 mm
X.X: \pm 0.1 mm
X.XX: \pm 0.05 mm

Notes:
RoHS compliant
Function test: no open, no short circuit, no intermittent
Description:
Connector, 8 pin M12 X-code plug, L38.6 mm, gold plated, solder cup, molding style, IP67, shielded

TENSILITY
tel 1.541.323.3228 800 877.670.7118
fax 1.541.323.4202 web tensility.com

Size: A Part number: 54-00395
Scale: 2:1 Sheet 1 of 1