

Style
M12 Socket, shielded
8 pin
X-coding

Ratings
Voltage: 48 V
Current: 0.5 A

Operating Temperature Range
-40~105°C

Materials

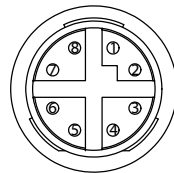
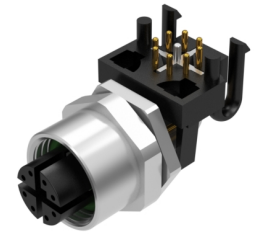
- ① Insulator: Polyamide 66 (PA66), UL94 HB, black
- ② Pin: phosphor copper, gold plated
- ③ Inner shielding: Zinc aluminum alloy, nickel plated
- ④ Shell: C3604 brass, nickel plated
- ⑤ Shield contact: C3604 brass, nickel plated
- ⑥ Pin alignment guide: Polyamide 66 (PA66), UL94 HB, black
- ⑦ O-ring: Nitrile rubber, black & green

Electrical Requirements
Dielectric strength: 1 min @ 500 Vac
Insulation resistance: 100 MΩ @ 500 Vdc
Contact resistance: 10 mΩ or less

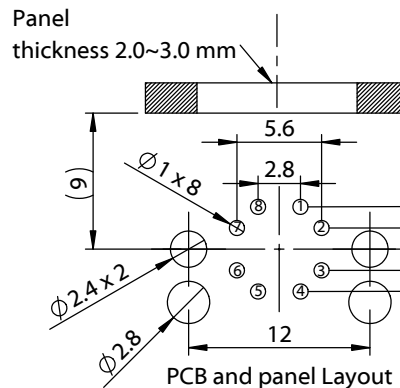
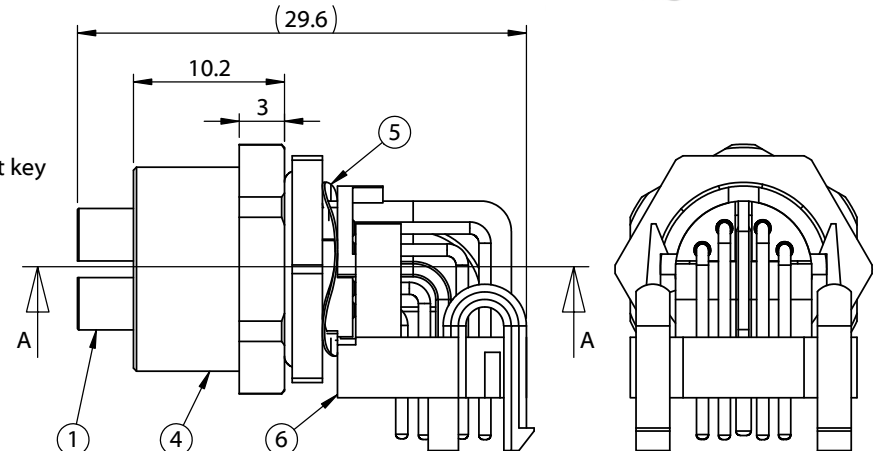
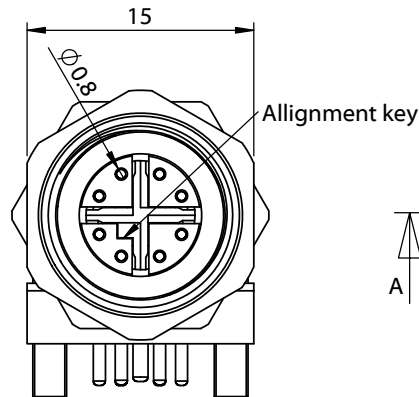
Mechanical Requirements
Life cycle: 500 mating cycles minimum

Environmental Requirements
Salt spray test: 35 °C, relative humidity 90-95%, 5% NaCl mist for 48 hrs. Wash parts after test. Maintain mechanical requirements and a contact resistance of less than 10 mΩ.
Waterproof: IP67 (in mated state). IP67 panel ingress requires sealing cap.

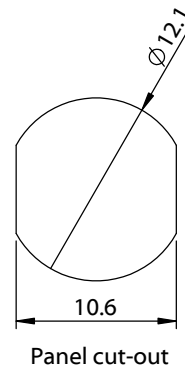
Transmission Characteristics:
CAT6a



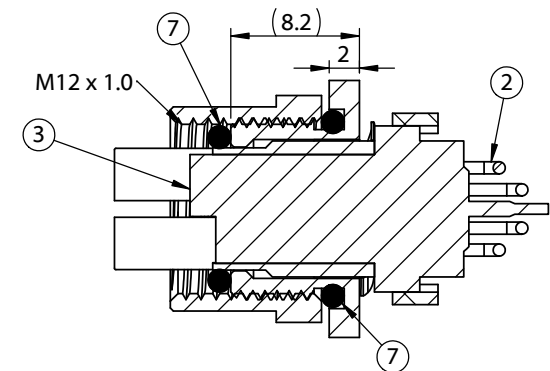
Front View
Not to Scale



PCB and panel Layout



Panel cut-out



SECTION A-A

Revision:	Date:	Description:
A	5/9/2023	Initial release

Prepared:
Verified:
Dimensions are in millimeters. Tolerances: X: ± 0.3 mm X.X: ± 0.1 mm X.XX: ± 0.05 mm

Notes:
RoHS compliant
Function test: no open, no short circuit, no intermittent
Description: Connector, 8 pin M12 X-code socket, L29.6 mm, gold plated, thru hole PCB, 90°, panel mount, IP67, shielded

TENSILITY

tel 1.541.323.3228 800 877.670.7118
fax 1.541.323.4202 web tensility.com

Size:	Part number:
A	54-00393
Scale: 2:1	Sheet 1 of 1