

Style
M8 Plug, shielded
3 pin
A-coding

Ratings
Voltage: 60 V
Current: 3 A

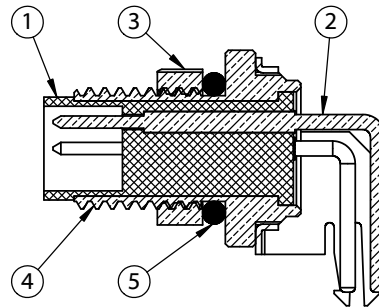
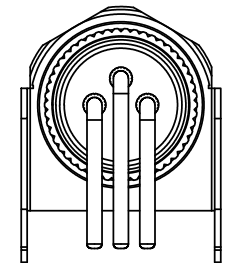
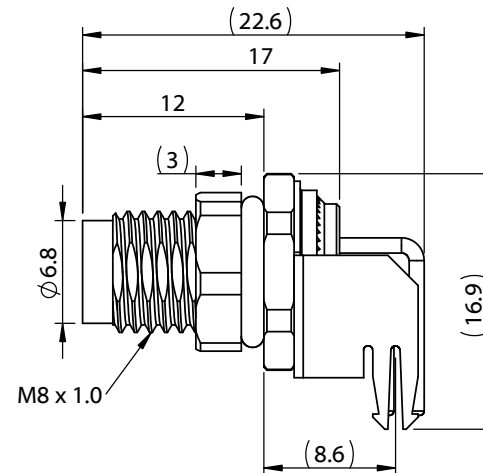
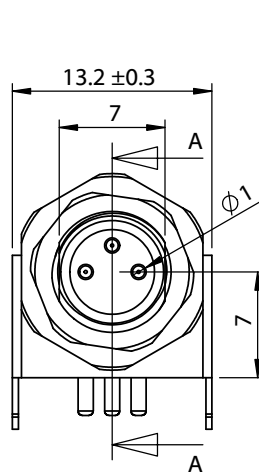
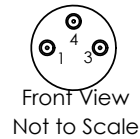
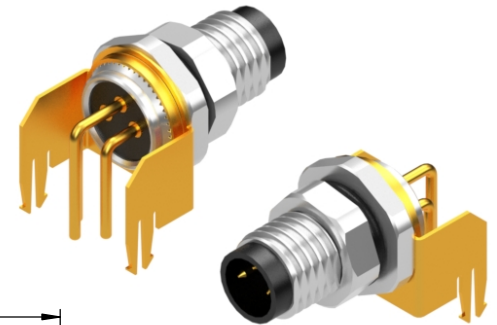
Operating Temperature Range
-40~105 °C

Materials
① Insulator: PA66, UL 94 HB, black
② Pin: C3604 brass, gold flashing
③ Nut: C3604 brass, nickel plated
④ Shell: C3604 brass, nickel plated
⑤ O-ring: Nitrile rubber, black

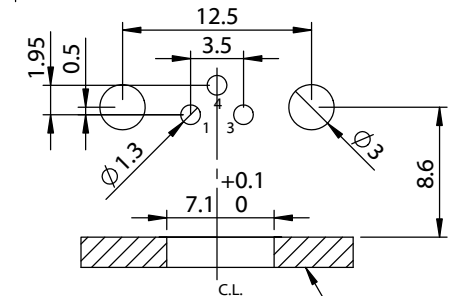
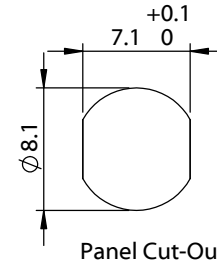
Electrical Requirements
Dielectric strength: 1 min @ 500 Vac
Insulation resistance: 100 MΩ @ 500 Vdc
Contact resistance: 10 mΩ or less

Mechanical Requirements
Life cycle: 1000 mating cycles minimum

Environmental Requirements
Salt spray test: 35 °C, relative humidity 90-95%, 5% NaCl mist for 24 hrs. Wash parts after test. Maintain mechanical requirements and a contact resistance of less than 10 mΩ.
Waterproof: IP67 (in mated state). IP67 panel ingress requires sealing cap



SECTION A-A



Panel Thickness
2.0 ~ 3.0 mm

Revision:	Date:	Description:
A	8/23/21	Initial Release

Prepared:

Verified:

Dimensions are in millimeters.
Tolerances:
X: ± 0.3 mm
X.X: ± 0.1 mm
X.XX: ± 0.05 mm

Notes:

RoHS compliant

Function test: no open, no short circuit, no intermittent

Description:
Connector, 3 pin M8 A-code plug, 8x22.6 mm, gold plated, PCB mount, 90°, IP67

TENSILITY

tel 1.541.323.3228 800 877.670.7118
fax 1.541.323.4202 web tensility.com

Size: A Part number: 54-00271

Scale: 2:1

Sheet 1 of 1