

Style

M12 Socket, shielded
8 pin
X-coding

Ratings

Voltage: 48 V
Current: 0.5 A

Operating Temperature Range

-40 ~ 105 °C

Materials

- ① Insulator: Polyamide 66 (PA66), UL94 HB, black
- ② Pin: C3604 brass, gold plated
- ③ Inner shielding: zinc aluminum alloy, nickel plated
- ④ Shell: C3604 brass, nickel plated
- ⑤ Nut: C3604 brass, nickel plated
- ⑥ O-ring: Nitrile rubber, black

Electrical Requirements

Dielectric strength: 1 min @ 500 Vac
Insulation resistance: 100 MΩ @ 500 Vdc
Contact resistance: 10 mΩ or less

Mechanical Requirements

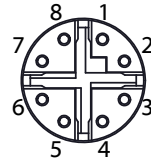
Life cycle: 500 mating cycles minimum

Environmental Requirements

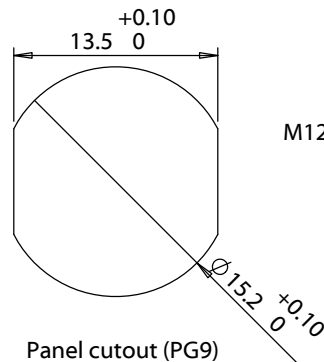
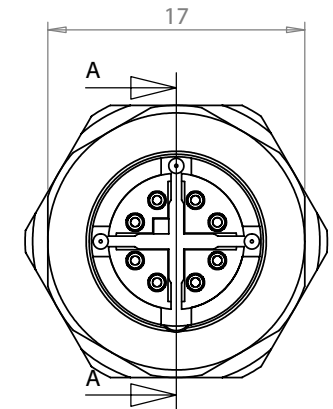
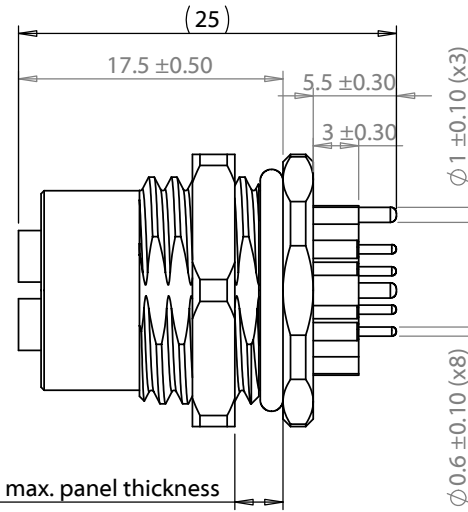
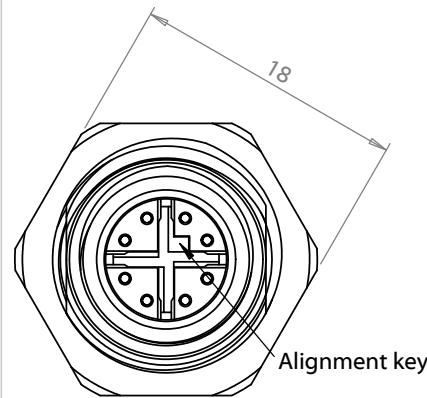
Salt spray test: 35 °C, relative humidity 90-95%, 5% NaCl mist for 48 hrs. Wash parts after test. Maintain mechanical requirements and a contact resistance of less than 10 mΩ. Waterproof: IP67 (in mated state). IP67 panel ingress requires sealing cap.

Solderability

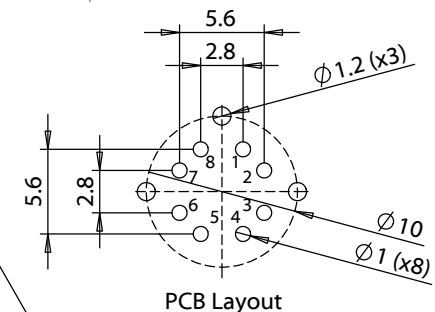
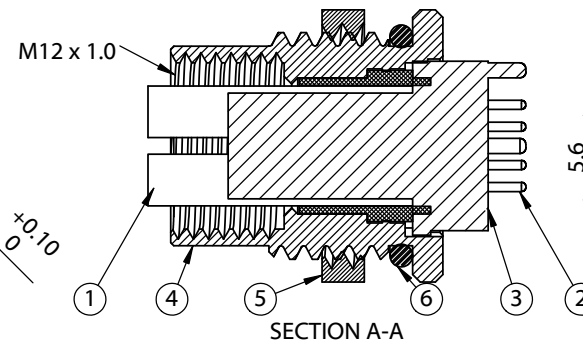
Recommended process: wave solder (260° C max temp)
PCB thickness: 2.0 mm max



Front view
Not to Scale



Panel cutout (PG9)



PCB Layout

Revision:	Date:	Description:
A	12/1/2020	Initial release

Prepared:	Notes:
	RoHS compliant
Verified:	Function test: no open, no short circuit, no intermittent
Dimensions are in millimeters. Tolerances: X: ± 0.3 mm X.X: ± 0.1 mm X.XX: ± 0.05 mm	Description: Connector, 8 pin M12 X-code socket, 12xL25mm, gold plated, panel mount, solder cup, IP67, shielded

TENSILITY

tel 1.541.323.3228 800 877.670.7118
fax 1.541.323.4202 web tensility.com

Size: Part number:
A 54-00265

Scale: 2:1



Sheet 1 of 1