

Style

M12 Socket, shielded
5 pin
B-coding

Ratings

Voltage: 60 V
Current: 4 A

Operating Temperature Range

-40 ~ 105 °C

Materials

- ① Insulator: Polyamide 66 (PA66), UL94 HB, black
- ② Socket: C5191 Phosphor bronze, gold plated
- ③ Shell: C3604 brass, nickel plated
- ④ O-ring: Nitrile rubber, green

Electrical Requirements

Dielectric strength: 1 min @ 500 Vac
Insulation resistance: 100 MΩ @ 500 Vdc
Contact resistance: 10 mΩ or less

Mechanical Requirements

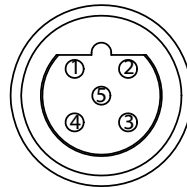
Life cycle: 500 mating cycles minimum

Environmental Requirements

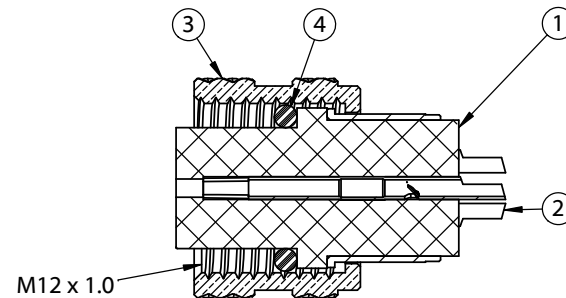
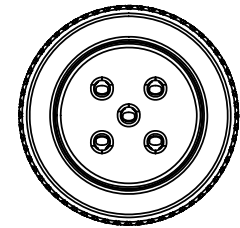
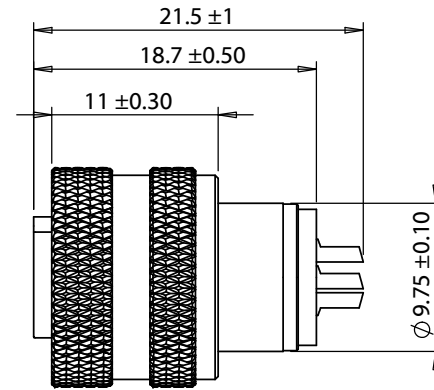
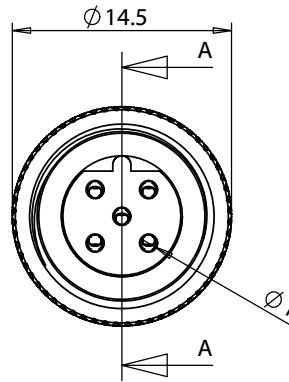
Salt spray test: 35 °C, relative humidity 90-95%, 5% NaCl mist for 48 hrs. Wash parts after test. Maintain mechanical requirements and a contact resistance of less than 10 mΩ.
Waterproof: IP67

Assembly Info

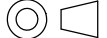
Wire gauge: 22 AWG max



Front View
Not to Scale



SECTION A-A

Revision:	Date:	Description:	Prepared:	Notes:	TENSILITY tel 1.541.323.3228 800 877.670.7118 fax 1.541.323.4202 web tensility.com
A	1/30/2023	Initial release	Verified:	RoHS compliant Function test: no open, no short circuit, no intermittent	
			Dimensions are in millimeters. Tolerances: X: ± 0.3 mm X.X: ± 0.1 mm X.XX: ± 0.05 mm	Description: Connector, 5 pin M12 B-code socket, 12xL21.5 mm, gold plated, molding style, solder cup, IP67, shielded	Size: A
					Part number: 50-01020
					Scale: 2:1
					
					Sheet 1 of 1