

**Style**  
M12 Socket  
4 pin  
B-coding

**Ratings**  
Voltage: 250 V  
Current: 4 A

**Operating Temperature Range**  
-40~105 °C

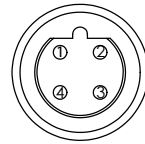
**Materials**  
① Insulator: Polyamide 66 (PA66), UL94 HB, black  
② Pin: C3604 brass, gold plated  
③ Shell: C3604 brass, nickel plated  
④ O-ring: Nitrile rubber, green

**Electrical Requirements**  
Dielectric strength: 1 min @ 500 Vac  
Insulation resistance: 100 MΩ @ 500 Vdc  
Contact resistance: 10 mΩ or less

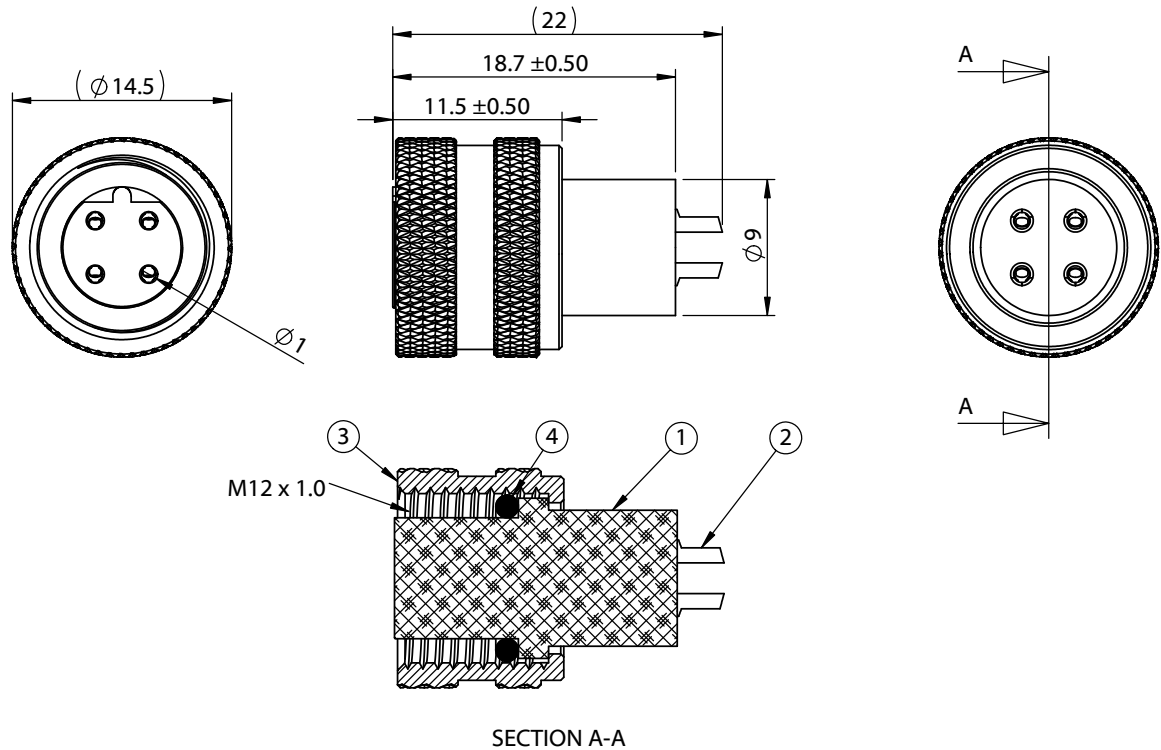
**Mechanical Requirements**  
Life cycle: 500 mating cycles minimum

**Environmental Requirements**  
Salt spray test: 35 °C, relative humidity 90-95%, 5% NaCl mist for 48 hrs. Wash parts after test. Maintain mechanical requirements and a contact resistance of less than 10 mΩ.  
Waterproof: IP67

**Assembly Info**  
Wire gauge: 22 AWG max



Front View  
Not to Scale



Revision:	Date:	Description:	Prepared:	Notes: RoHS compliant Function test: no open, no short circuit, no intermittent	<h1>TENSILITY</h1> <p>tel 1.541.323.3228 800 877.670.7118 fax 1.541.323.4202 web tensility.com</p>	
A	1/31/2023	Initial release	Verified:			
			Dimensions are in millimeters. Tolerances: X: $\pm 0.3$ mm X.X: $\pm 0.1$ mm X.XX: $\pm 0.05$ mm	Description: Connector, 4 pin M12 B-code socket, 12xL21.8mm, gold plated, molding style, solder cup, IP67	Size: A	Part number: 50-01014
				Scale: 2:1		Sheet 1 of 1

5

4

3

2

1