

Style

M8 Plug
5 pin
B-coding

Ratings

Voltage: 30 V
Current: 3 A

Operating Temperature Range

-40~105°C

Materials

- ① Insulator: PA66, UL94 HB, black
- ② Pin: C3604 brass, gold flashing
- ③ Shell: C3604 brass, nickel plated

Electrical Requirements

Dielectric strength: 1 min @ 500 Vac
Insulation resistance: 100 MΩ @ 500 Vdc
Contact resistance: 10 mΩ or less

Mechanical Requirements

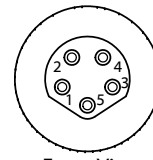
Life cycle: 1000 mating cycles minimum

Environmental Requirements

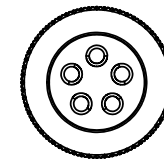
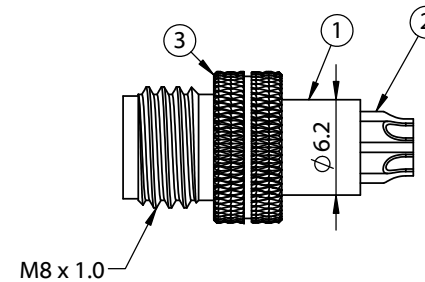
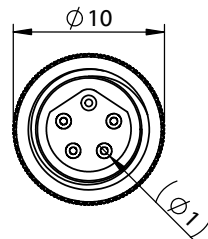
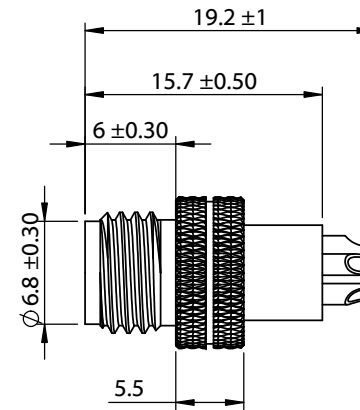
Salt spray test: 35 °C, relative humidity 90-95%, 5% NaCl mist for 48 hrs. Wash parts after test. Maintain mechanical requirements and a contact resistance of less than 10 mΩ.
Waterproof: IP67

Assembly Info

Wire gauge: 24 AWG max



Front View
Not to Scale



Revision:	Date:	Description:	Prepared:	Notes:	TENSILITY tel 1.541.323.3228 800 877.670.7118 fax 1.541.323.4202 web tensility.com
A	12/27/2022	Initial release	Verified:	RoHS compliant Function test: no open, no short circuit, no intermittent	
			Dimensions are in millimeters. Tolerances: X: ± 0.3 mm X.X: ± 0.1 mm X.XX: ± 0.05 mm	Description: Connector, 5 pin M8 B-code plug, 8x19.2 mm, gold plated, molding style, solder cup, IP67	Size: Part number: A 50-01003
					Scale: 2:1 Sheet 1 of 1