

Ratings
 Voltage: 150 V
 Temperature: -40~70 °C

Conductor
 Conductor count: 2
 Gauge: 32 AWG 0.04 mm²
 Material: Tinned copper strands
 Strand size: $\varnothing 0.05 \times 19$
 Resistance at 20 °C: 590 Ω /km max

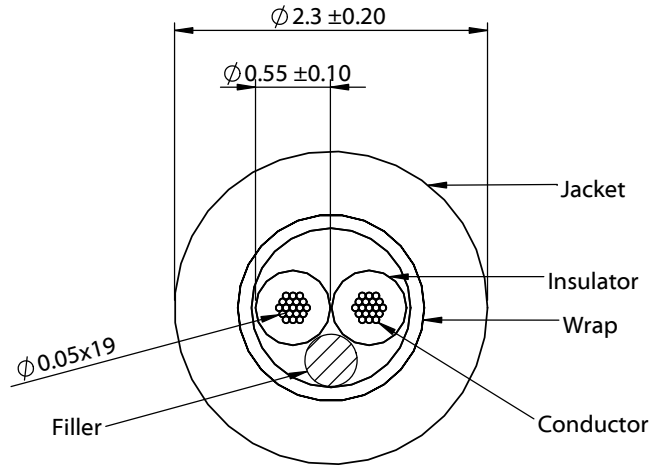
Insulator
 Material: HDPE
 Color: white, black
 Diameter: $\varnothing 0.55 \pm 0.10$ mm
 Nominal thickness: 0.15 mm
 Resistance at 20 °C: 100 M Ω /km min

Wrap:
 Material: cotton paper

Filler
 Material: aramid fiber

Outer jacket
 Material: TPU
 Color: white
 Diameter: $\varnothing 2.3 \pm 0.20$ mm
 Nominal thickness: 0.5 mm

Tests
 Tensility strength: 15 kgf min
 Dielectric test: 1500 V dc for 1 minute without breakdown
 Bend test at 200g, $\pm 60^\circ$, 30 cycles/min: 15,000 cycle minimum



Revision:	Date:	Description:	Prepared:	Notes: RoHS compliant Jacket meets ISO 10993 Biological Compatibility Phthalate and halogen free Function test: no open, no short, no intermittent	<h1>TENSILITY</h1> <p>tel 1.541.323.3228 800 877.670.7118 fax 1.541.323.4202 web tensility.com</p>	
A	09/09/2022	Initial release	Verified:			
			Dimensions are in millimeters. Tolerances: X: ± 0.5 mm X.X: ± 0.3 mm X.XX: ± 0.05 mm	Description:	Size:	Part number:
				Wire, 2C TS, 32 AWG, 150V, 70C, 2.3 mm, TPU, 75A, white, WBL	A	30-02781
				Scale: 18:1		Sheet 1 of 1