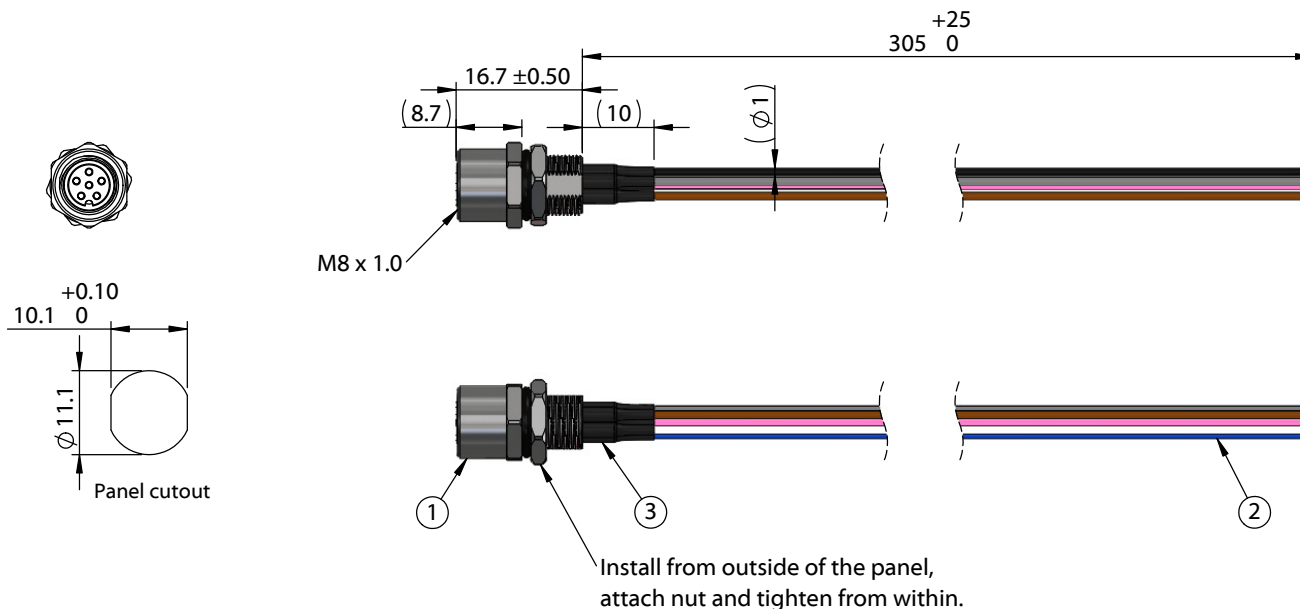


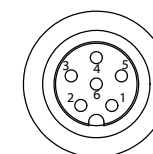
| ITEM NO. | PART NUMBER | DESCRIPTION | QTY. | COMPONENT NOTES |
|----------|-------------|--|------|--|
| 1 | 54-00327 | Connector, 6 pin M8 A-code socket, 8x20.2 mm, gold plated, panel mount, solder cup, IP67 | 1 | nut and o-ring included |
| 2 | Wire | Wire, hook-up, TS, 26 AWG, UL11028, 600V, 105C, 1 mm, mPPE | 6 | color: brown, white, blue, black, gray, pink |
| 3 | Heat shrink | Heat shrink, UL, black | 6 | covers solder joints |



Notes:
 Cable rated for 30 V, 1 A
 Temperature: -40 ~ 105 °C

IP67 waterproof rating when mated with corresponding (IP67) connector and installed properly in panel

Cables individually packaged in PE bag
 Functionally equivalent components may be substituted



Front View
 Not to Scale

| Wiring Diagram | |
|----------------|------------------|
| 54-00327 | wire color (P/N) |
| 1 | brown (30-01781) |
| 2 | white (30-01774) |
| 3 | blue (30-01776) |
| 4 | black (30-01773) |
| 5 | gray (30-01780) |
| 6 | pink (30-02983) |

| | | | | | |
|-----------|-----------|-----------------|--|--|---|
| Revision: | Date: | Description: | Prepared: | Notes: RoHS compliant | tel 1.541.323.3228 800 877.670.7118 fax 1.541.323.4202 web tensility.com |
| A | 3/14/2023 | Initial release | Verified: | | |
| | | | Dimensions are in millimeters. Tolerances: X: ± 0.5 mm X.X: ± 0.3 mm X.XX: ± 0.05 mm | Description: | Size: A |
| | | | | Cable, 305 mm, M8 6C socket panel mount 54-00327 to blunt cut, 26 AWG, UL 11028 hook-up wire | Part number: 10-05451 |
| | | | | Scale: 1:1 | Sheet 1 of 1 |