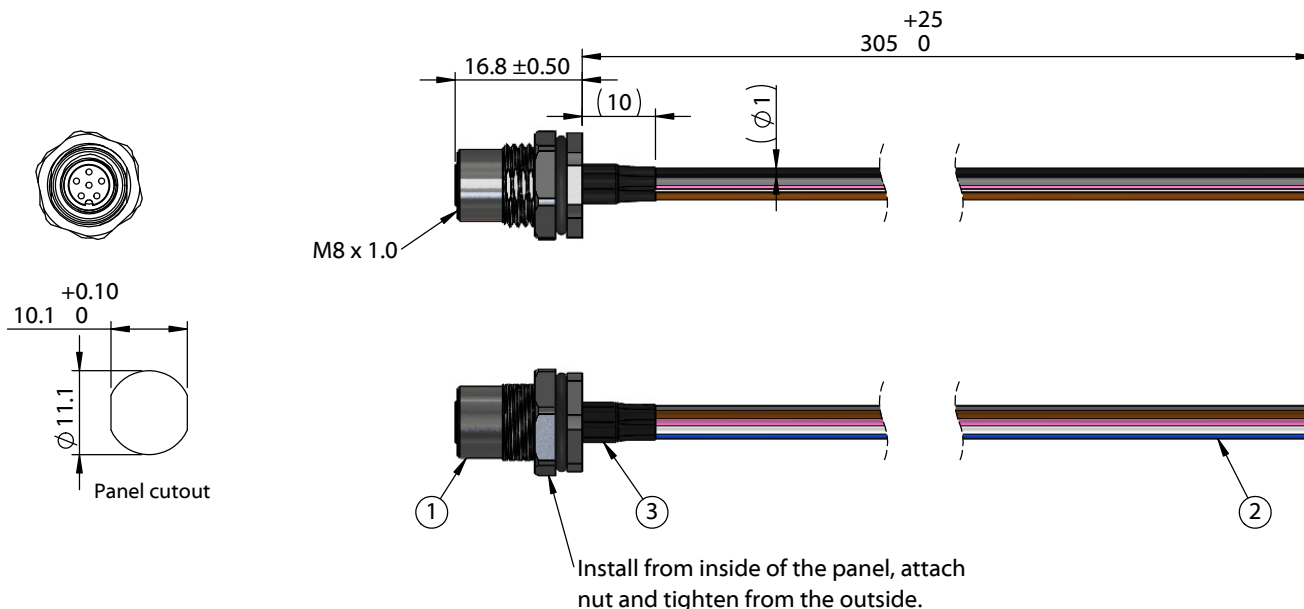
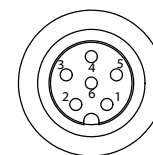


ITEM NO.	PART NUMBER	DESCRIPTION	QTY.	COMPONENT NOTES
1	54-00325	Connector, 6 pin M8 A-code socket, 8x20.3 mm, gold plated, panel mount, solder cup, IP67	1	nut and o-ring included
2	Wire	Wire, hook-up, TS, 26 AWG, UL11028, 600V, 105C, 1 mm, mPPE	6	color: brown, white, blue, black, gray, pink
3	Heat shrink	Heat shrink, UL, black	6	covers solder joints



Install from inside of the panel, attach nut and tighten from the outside.



Front View
Not to Scale

Wiring Diagram	
54-00325	wire color (P/N)
1	brown (30-01781)
2	white (30-01774)
3	blue (30-01776)
4	black (30-01773)
5	gray (30-01780)
6	pink (30-02983)

Notes:
Cable rated for 30 V, 1 A
Temperature: -40 ~ 105 °C

IP67 waterproof rating when mated with corresponding (IP67) connector and installed properly in panel

Cables individually packaged in PE bag
Functionally equivalent components may be substituted

Revision:	Date:	Description:	Prepared:	Notes: RoHS compliant Function test: no open, no short circuit, no intermittent	<h1>TENSILITY</h1> <p>tel 1.541.323.3228 800 877.670.7118 fax 1.541.323.4202 web tensility.com</p>
A	3/14/2023	Initial release	Verified:		
			Dimensions are in millimeters. Tolerances: X: ± 0.5 mm X.X: ± 0.3 mm X.XX: ± 0.05 mm	Description: Cable, 305 mm, M8 6C socket panel mount 54-00325 to blunt cut, 26 AWG, UL 11028 hook-up wire	Size: A
					Part number: 10-05449
					Scale: 1:1
					Sheet 1 of 1

5

4

3

2

1