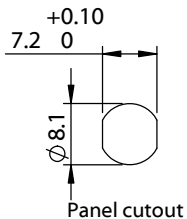
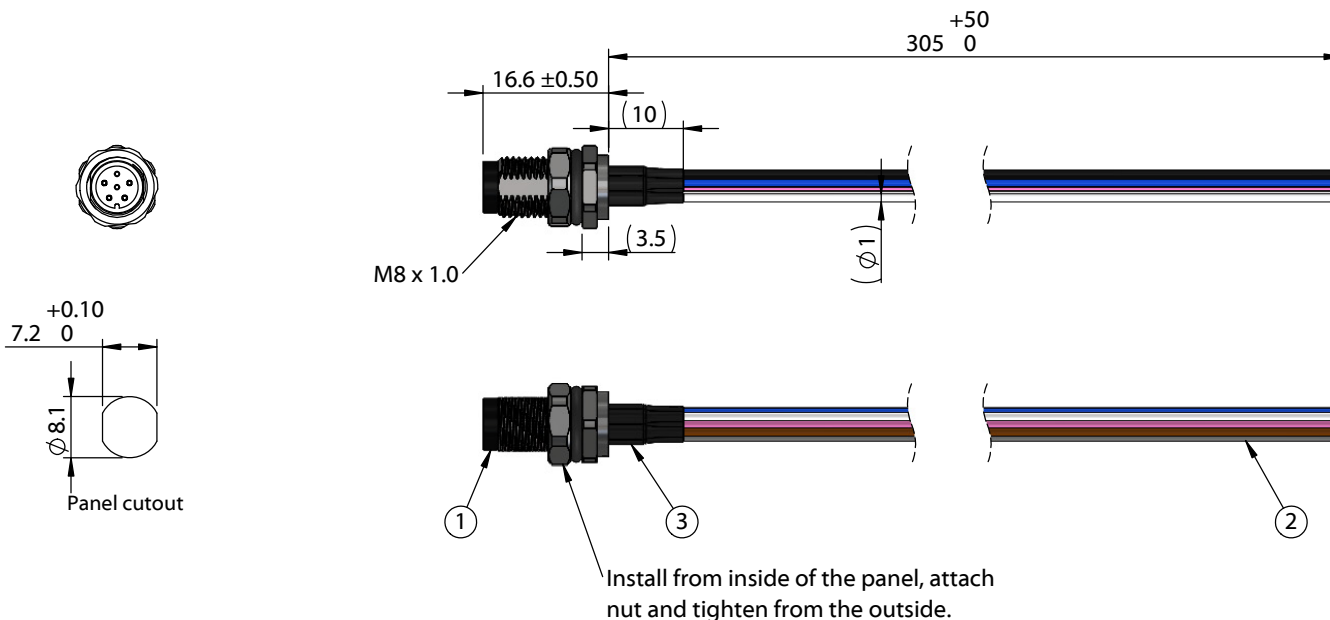


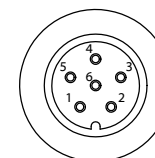
ITEM NO.	PART NUMBER	DESCRIPTION	QTY.	COMPONENT NOTES
1	54-00324	Connector, 6 pin M8 A-code plug, 8x20.1 mm, gold plated, panel mount, solder cup, IP67	1	nut and o-ring included
2	Wire	Wire, hook-up, TS, 26 AWG, UL11028, 600V, 105C, 1 mm, mPPE	6	color: brown, white, blue, black, gray, pink
3	Heat shrink	Heat shrink, UL, black	6	covers solder joints



Notes:
 Cable rated for 30 V, 1 A
 Temperature: -40 ~ 105 °C

IP67 waterproof rating when mated with corresponding (IP67) connector and installed properly in panel

Cables individually packaged in PE bag
 Functionally equivalent components may be substituted



Front View
 Not to Scale

Wiring Diagram	
54-00324	wire color (P/N)
1	brown (30-01781)
2	white (30-01774)
3	blue (30-01776)
4	black (30-01773)
5	gray (30-01780)
6	pink (30-02983)

Revision:	Date:	Description:	Prepared:	Notes:	<h1>TENSILITY</h1> <p>tel 1.541.323.3228 800 877.670.7118 fax 1.541.323.4202 web tensility.com</p>
A	3/14/2023	Initial release	Verified:		
			Dimensions are in millimeters. Tolerances: X: ± 0.5 mm X.X: ± 0.3 mm X.XX: ± 0.05 mm	Function test: no open, no short circuit, no intermittent	Size: Part number: A 10-05448
				Description: Cable, 305 mm, M8 6C plug panel mount 54-00324 to blunt cut, 26 AWG, UL 11028 hook-up wire	