

TENSILITY

Product Change Notification

September 9, 2016

PCN issue number: 00105

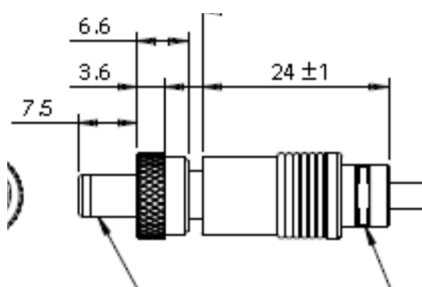
Product Type: Cable, dc locking plug connectors

Change type: Manufacturing process improvement

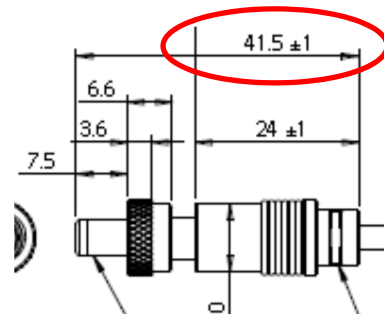
Products affected by change:

Part Number	Part Description
10-00110	Cable, 2000 mm, 5.5x2.1x7.5mm 50-00010 locking dc plug to same, 18 AWG, UL1185, 30-00004 wire
10-00111	Cable, 2000 mm, 5.5x2.1x7.5mm 50-00010 locking dc plug to same, 18 AWG, UL2468, 30-00007 wire
10-00112	Cable, 2000 mm, 5.5x2.1x7.5mm 50-00010 locking dc plug to 5mm tinned, 18 AWG, UL1185, 30-00004 wire
10-00113	Cable, 2000 mm, 5.5x2.1x7.5mm 50-00010 locking dc plug to 5mm tinned, 18 AWG, UL2468, 30-00007 wire
10-00117	Cable, 2000 mm, 5.5x2.5x7.5mm 50-00011 locking dc plug to same, 18 AWG, UL1185, 30-00004 wire
10-00118	Cable, 2000 mm, 5.5x2.5x7.5mm 50-00011 locking dc plug to same, 18 AWG, UL2468, 30-00007 wire
10-00119	Cable, 2000 mm, 5.5x2.5x7.5mm 50-00011 locking dc plug to 5mm tinned, 18 AWG, UL1185, 30-00004 wire
10-00120	Cable, 2000 mm, 5.5x2.5x7.5mm 50-00011 locking dc plug to 5mm tinned, 18 AWG, UL2468, 30-00007 wire

Product specification change: The revised specification adds a dimension for the combined overall length of the connector and overmold.



Previous



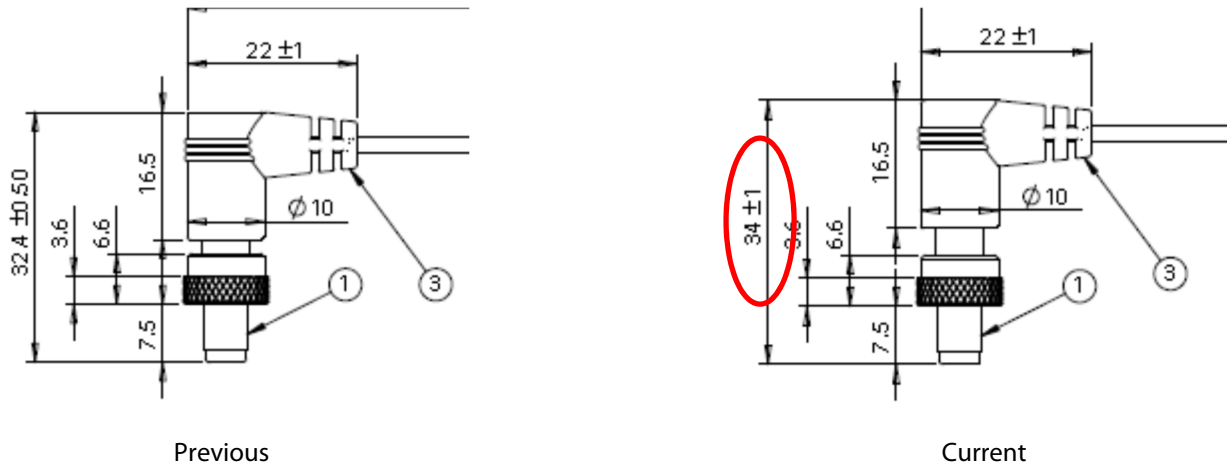
Current

TENSILITY

Products affected by change:

Part Number	Part Description
10-00109	Cable, 2000 mm, 5.5x2.1x7.5mm 90° 50-00010 locking dc plug to same, 18 AWG, UL2468, 30-00007 wire
10-00114	Cable, 2000 mm, 5.5x2.1x7.5mm 90° 50-00010 locking dc plug to same, 18 AWG, UL1185, 30-00004 wire
10-00115	Cable, 2000 mm, 5.5x2.1x7.5mm 90° 50-00010 locking dc plug to 5mm tinned, 18 AWG, UL1185, 30-00004
10-00116	Cable, 2000 mm, 5.5x2.1x7.5mm 90° 50-00010 locking dc plug to 5mm tinned, 18 AWG, UL2468, 30-00007
10-00121	Cable, 2000 mm, 5.5x2.5x7.5mm 90° 50-00011 locking dc plug to same, 18 AWG, UL1185, 30-00004 wire
10-00122	Cable, 2000 mm, 5.5x2.5x7.5mm 90° 50-00011 locking dc plug to same, 18 AWG, UL2468, 30-00007 wire
10-00123	Cable, 2000 mm, 5.5x2.5x7.5mm 90° 50-00011 locking dc plug to 5mm tinned, 18 AWG, UL1185, 30-00004
10-00124	Cable, 2000 mm, 5.5x2.5x7.5mm 90° 50-00011 locking dc plug to 5mm tinned, 18 AWG, UL2468, 30-00007

Product specification change: The revised specification modifies the dimension for the combined overall length of the connector and overmold.



Reason for change: To enhance the reliability of the wiring process prior to injection molding.

Anticipated impact on fit, function and reliability: There will be no change to the fit, function, or reliability of this product. Connector mating will be unaffected. The reliability of the product will remain the same.

Please direct all questions regarding this PCN to:

engineering@tensility.com

541-323-3228