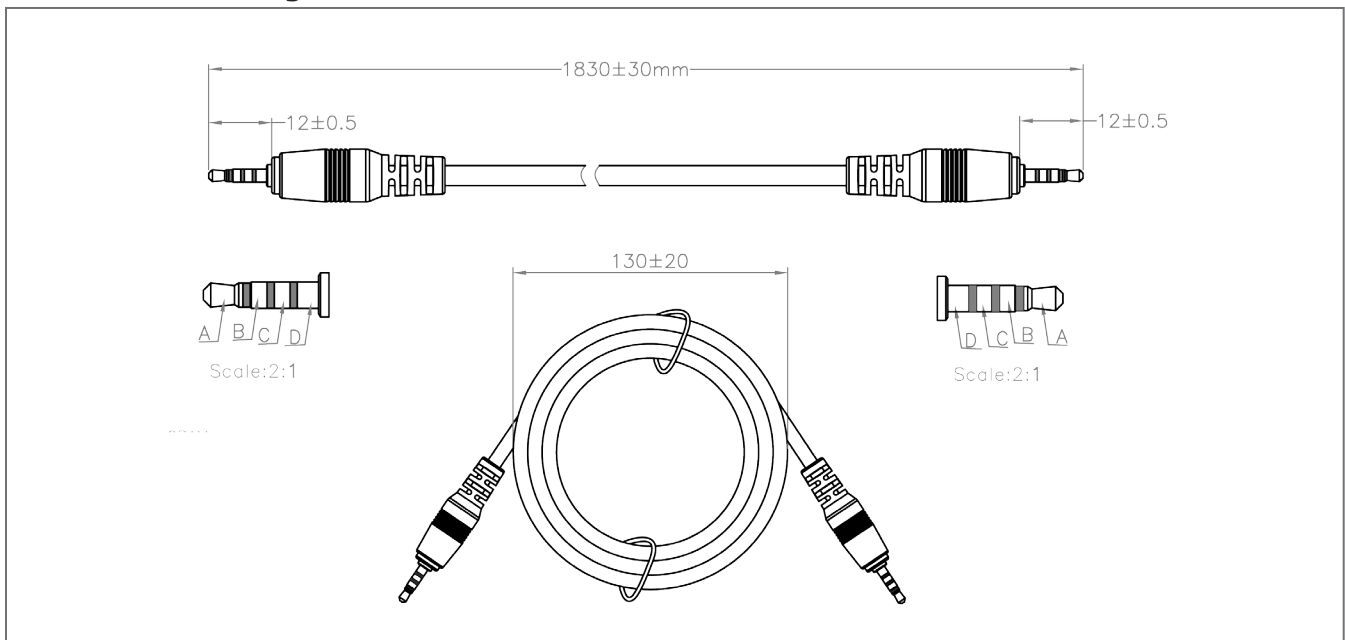


### Specifications:

wire description	4 conductor (red, yellow, green, black ), 0.16x7, aluminum foil shield (0.2x7)
overmold	black, PVC
cable outer diameter	3.7 mm
cable material	non UL 60P
cable color	black
cable gauge	AWG #26
cable length	1830 mm
connector description	2.5xL20.2 mm, 4C audio plug, brass nickel plated, P/N 50-00007
twist tie	14 cm black
max voltage	300 V/S 0.5mA
max current	2 A

Notes: RoHS compliant

### Mechanical drawing:



### Wiring diagram:

A	RED Wire
B	BLACK Wire
C	YELLOW Wire
D	GREEN Wire

tolerance .X: ±0.5 mm .XX: ±0.2 mm

## Revision notes:

Rev	Date	Description
A	January 19, 2009	Re-issue. Original specification issued by CUI; re-issued by Tensility without any material or mechanical changes.
A1	May 11, 2009	added Tensility P/N 50-00007 to specification
A2	August 30, 2011	updated description and connector information

tolerance .X:  $\pm 0.5$  mm .XX:  $\pm 0.2$  mm