

Specifications:

connector description (1)	dc plug, 3.5x1.35xL22 mm, brass nickel plated, P/N 50-00116
overmold (2, 5)	30P, black PVC (including strain relief)
connector description (6)	dc jack, 3.5x1.35xL16.5 mm, molding style, P/N 50-00117
wire description (3)	2C, 24 AWG, UL2468, 300V, 80C, 3.6 mm, VW-1, PVC, 65P, P/N 30-00003
cable outer diameter	3.6 ± 0.1 mm (each conductor 1.8)
cable material	UL 2468
cable color	black
cable gauge	AWG #24
cable length	915 ±50 mm
twist tie (4)	black
max voltage	36 Vdc
max current	500 mA

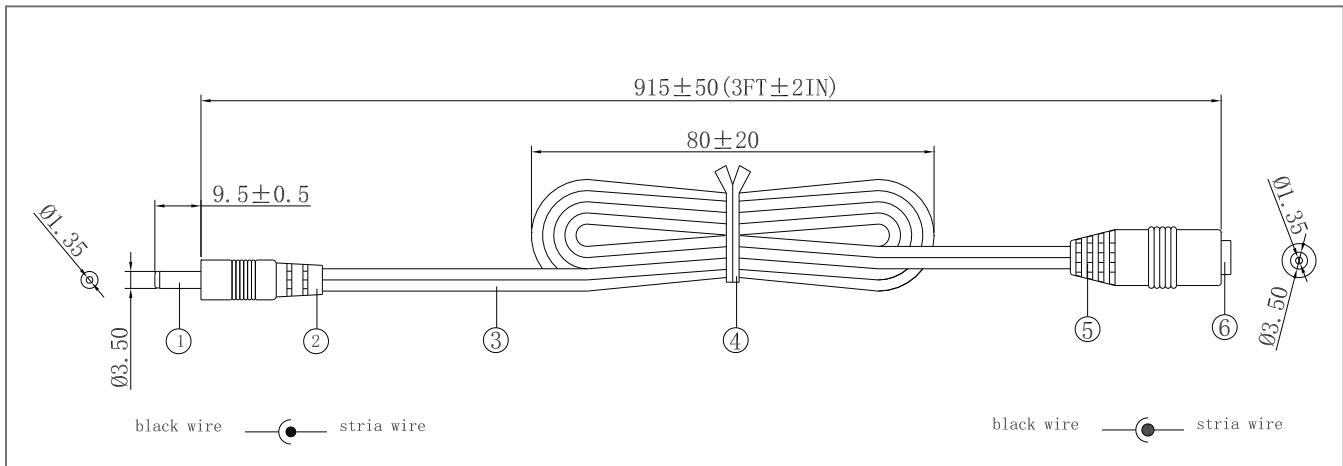
Notes:

RoHS compliant

Function test: no open, no reversed polarity, no short circuit, no INT

Hi-Pot test: 600 Vac, 05 mA, 1 second

Mechanical drawing:



tolerance X: ± 0.5 mm .X: ± 0.25 mm .XX: ± 0.05 mm

Revision notes:

Rev	Date	Description
A	January 19, 2009	Re-issued; original specification issued by CUI, re-issued by Tensility without any material or mechanical changes.
A1	August 31, 2011	updated description, connector, and wire information

tolerance X: ± 0.5 mm .X: ± 0.25 mm .XX: ± 0.05 mm