

Specifications:

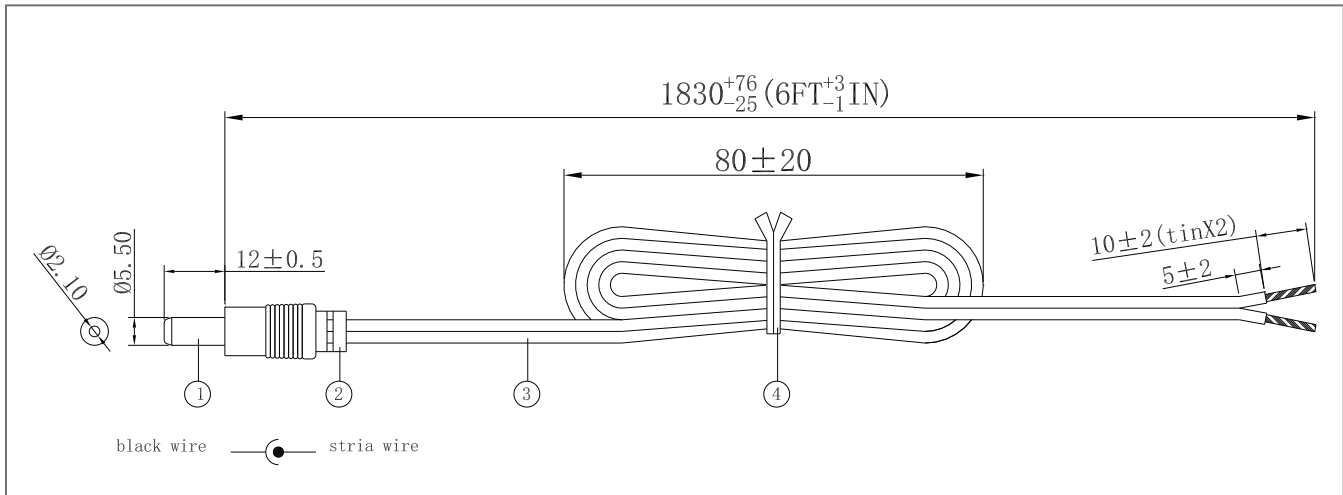
connector description (1)	dc plug, 5.5x2.1xL22.5 mm, brass nickel plated, P/N 50-00126
overmold (2)	30P, black PVC (including strain relief)
wire description (3)	2C, 18 AWG, UL2468, 300V, 80C, 4.4 mm, VW-1, PVC, 48P, P/N 30-00007
cable outer diameter	4.6 ± 0.1 mm (each conductor 2.3)
cable material	UL 2468
cable color	black
cable gauge	AWG #18
cable length	1830 mm
twist tie (4)	black
max voltage	36 Vdc
max current	3 A

Notes: RoHS compliant

Function test: no open, no reversed polarity, no short circuit, no INT

Hi-Pot test: 600 Vac, 05 mA, 1 second

Mechanical drawing:



tolerance X: ±0.5 mm .X: ±0.25 mm .XX: ±0.05 mm

Revision notes:

Rev	Date	Description
A	January 19, 2009	Re-issued; original specification issued by CUI, re-issued by Tensility without any material or mechanical changes.
A1	September 1, 2011	updated description, connector, and wire information

tolerance X: ± 0.5 mm .X: ± 0.25 mm .XX: ± 0.05 mm