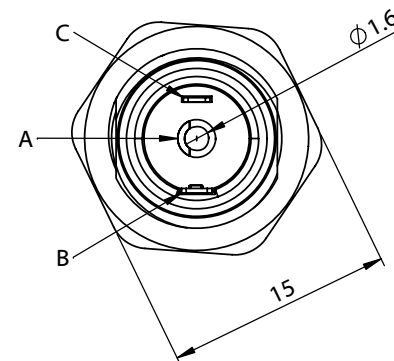
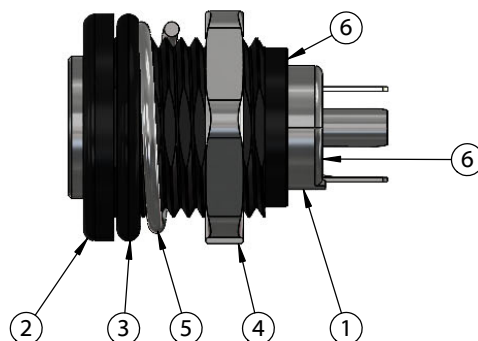
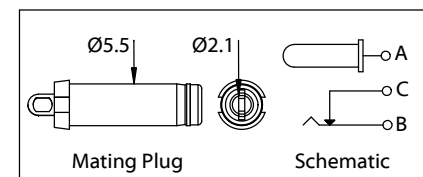
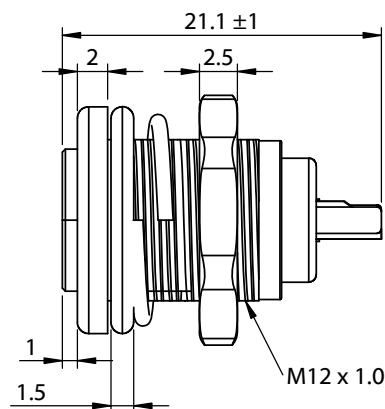
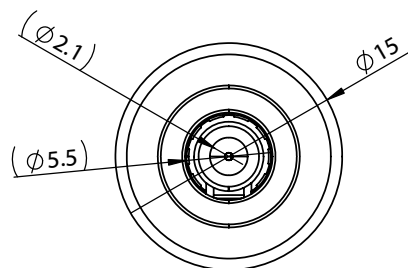
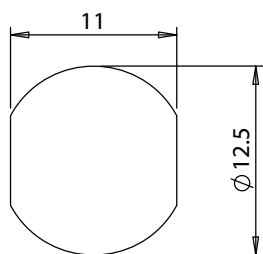


ITEM NO.	PART NUMBER	DESCRIPTION	QTY.	NOTES
1	50-01002	Connector, dc jack, 5.5x2.1xL22.0 mm, nickel plating, molding style, switch	1	
2	24-00387	Overmold, jack, Ø15 mm, panel mount, M12x1.0	1	LCP, black
3	55-00177	Gasket, Ø12 ID x Ø15 OD x 1.5mm, silicone, black	1	
4	56-00024	Hardware, nut, hex, 15x2.5 mm, M12x1.0, brass, nickel plated	1	
5	56-00025	Hardware, washer, lock, M12, nickel plated	1	
6	Epoxy	Epoxy resin, high temperature	1	

Installation Details

Panel thickness: 4.5 mm max
Recommended panel cutout:



Notes:
Panel ingress protection: IP67

Revision:	Date:	Description:	Prepared:	Notes:	<h1>TENSILITY</h1> <p>tel 1.541.323.3228 800 877.670.7118 fax 1.541.323.4202 web tensility.com</p>
A	6/16/2022	Initial release	Verified:	RoHS compliant	
			Dimensions are in millimeters. Tolerances: X: ± 0.3 mm X.X: ± 0.1 mm X.XX: ± 0.05 mm	Function test: no open, no short circuit, no intermittent	
				Description: Connector, dc jack w/switch, 5.5x2.1xL22 mm, panel mount, threaded, nut and washer, IP67	
				Size:	Part number:
				A	54-00309
				Scale: 2:1	Sheet 1 of 2

5

4

3

2

1

