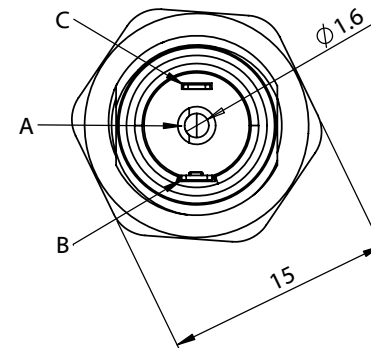
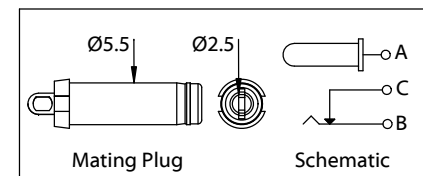
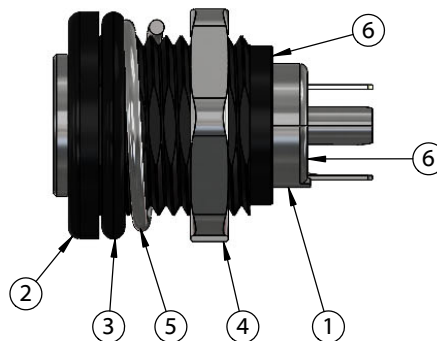
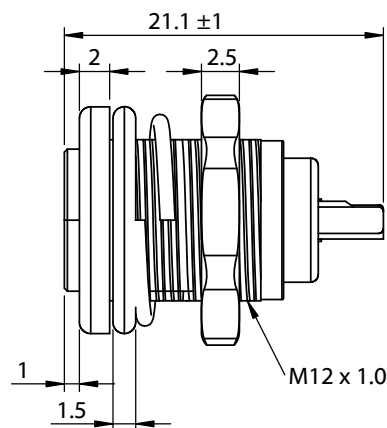
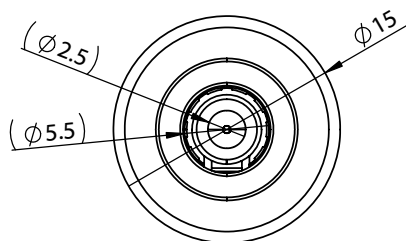
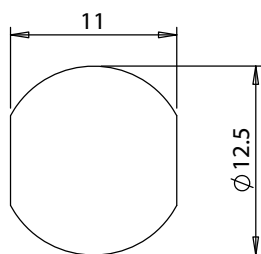


ITEM NO.	DESCRIPTION	MATERIAL	QTY.	NOTES
1	50-00999	Connector, dc jack, 5.5x2.5xL22.0 mm, nickel plating, molding style, switch	1	
2	24-00387	Overmold, jack, Ø15 mm, panel mount, M12x1.0	1	LCP, black
3	55-00177	Gasket, Ø12 ID x Ø15 OD x 1.5mm, silicone, black	1	
4	56-00024	Hardware, nut, hex, 15x2.5 mm, M12x1.0, brass, nickel plated	1	
5	56-00025	Hardware, washer, lock, M12, nickel plated	1	
6	Epoxy	Epoxy resin, high temperature	1	

**Installation Details**

Panel thickness: 4.5 mm max  
Recommended panel cutout:



**Notes:**  
Panel ingress protection: IP67

Revision:	Date:	Description:	Prepared:	Notes:	<h1>TENSILITY</h1> <p>tel 1.541.323.3228 800 877.670.7118 fax 1.541.323.4202 web tensility.com</p>
A	8/16/2022	Initial release	Verified:	RoHS compliant	
			Dimensions are in millimeters. Tolerances: X: ± 0.3 mm X.X: ± 0.1 mm X.XX: ± 0.05 mm	Function test: no open, no short circuit, no intermittent	
				Description: Connector, dc jack w/switch, 5.5x2.5xL22 mm, panel mount, threaded, nut and washer, IP67	
				Size:	Part number:
				A	54-00308
				Scale: 2:1	Sheet 1 of 2

**Ratings**

Voltage: 48 Vdc  
Current: 8.0 A

**Operating Temperature Range**

-30° to 180°C

**Electrical Requirements**

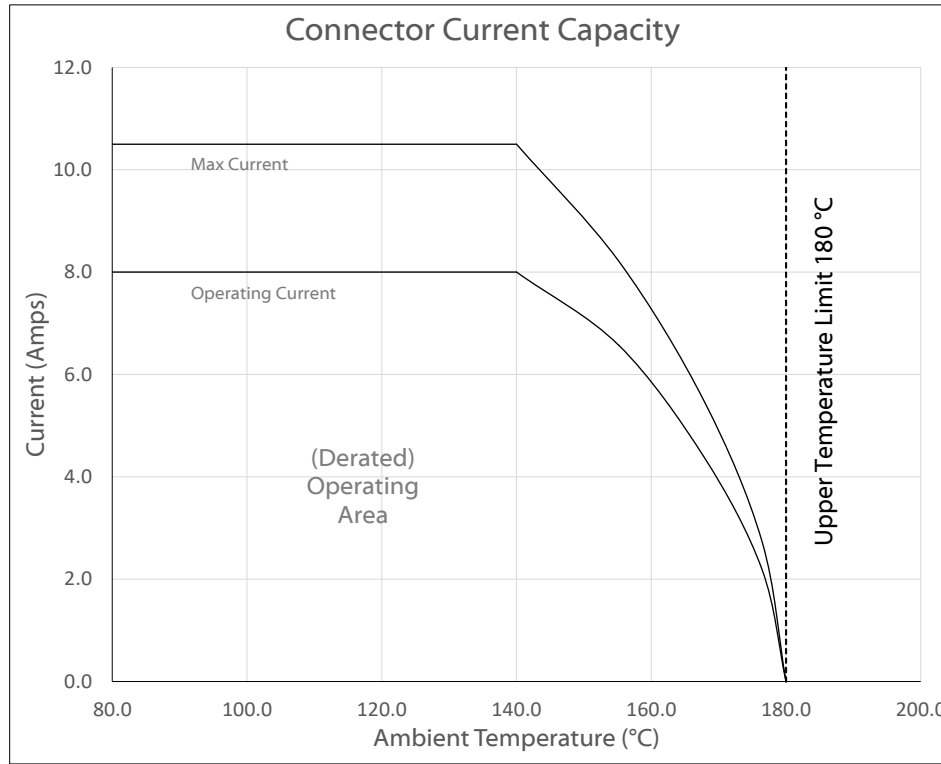
Dielectric strength: 1 min @ 500 Vac  
Insulation resistance: 100 MΩ @ 500 Vdc  
Contact resistance: 30 mΩ or less

**Mechanical Requirements**



Insertion force: 0.4-4 kgf  
Withdrawal force: 0.4-4 kgf  
Life cycle: 5000 mating cycles while maintaining 0.4 kgf min. insertion force, 0.4 kgf min. withdrawal force and less than 100 mΩ contact resistance.

**Environmental Requirements**

Cold test: -25 ±3 °C for 48 hours without deformation  
Heat test: 70 ±2 °C, relative humidity 70-85% for 48 hours without deformation  
Humidity test: 40 ±2 °C, relative humidity 90-95% for 48 hours without deformation



Testing based on IEC 60512-5-2. Max current curve generated with isolated test article under controlled environmental conditions, based on a 40°C temperature rise difference. Test does not take into account external factors such as housings, mating cables, or other circuitry. Operating current curve (derated by 20% of maximum values) accounts for external factors, and manufacturing variation.

Revision:	Date:	Description:	Prepared:	Notes:	<h1>TENSILITY</h1> <p>tel 1.541.323.3228 800 877.670.7118 fax 1.541.323.4202 web tensility.com</p>	
A	8/16/2022	Initial release	Verified:	RoHS compliant Function test: no open, no short circuit, no intermittent		
			Dimensions are in millimeters. Tolerances: X: ± 0.3 mm X.X: ± 0.1 mm X.XX: ± 0.05 mm	Description:	Size: Part number:	
				Connector, dc jack w/switch, 5.5x2.5xL22 mm, panel mount, threaded, nut and washer, IP67	A 54-00308	
				Scale: 2:1	 	Sheet 2 of 2

5

↑

4

3

2

1