

**Style**

M12 Socket, shielded  
3 pin  
A-coding

**Ratings**

Voltage: 250 V  
Current: 4 A

**Operating Temperature Range**

-40~105 °C

**Materials**

- ① Insulator: Polyamide 66 (PA66), UL94 HB, black
- ② Pin: C5191 phosphor bronze, gold plated
- ③ Shell: C3604 brass, nickel plated
- ④ Nut: C3604 brass, nickel plated
- ⑤ O-ring: Nitrile rubber, green/black

**Electrical Requirements**

Dielectric strength: 1 min @ 500 Vac  
Insulation resistance: 100 MΩ @ 500 Vdc  
Contact resistance: 10 mΩ or less

**Mechanical Requirements**

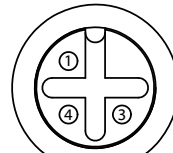
Life cycle: 500 mating cycles minimum

**Environmental Requirements**

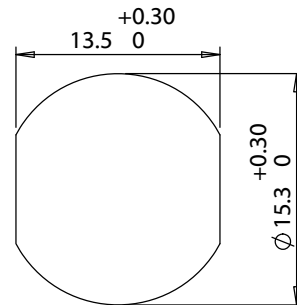
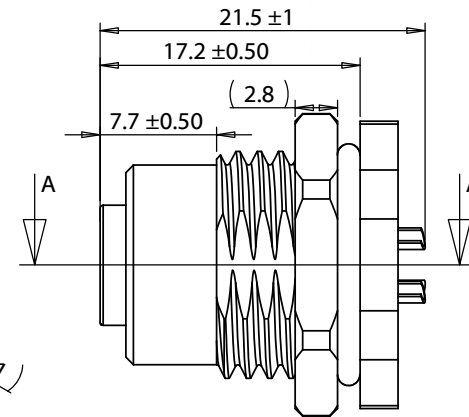
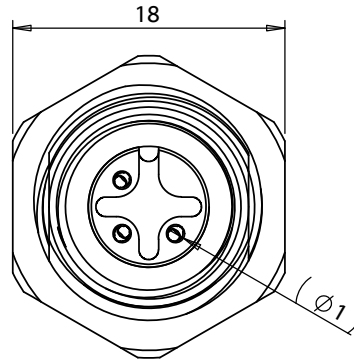
Salt spray test: 35 °C, relative humidity 90-95%, 5% NaCl mist for 48 hrs. Wash parts after test. Maintain mechanical requirements and a contact resistance of less than 10 mΩ.  
Waterproof: IP67

**Assembly Info**

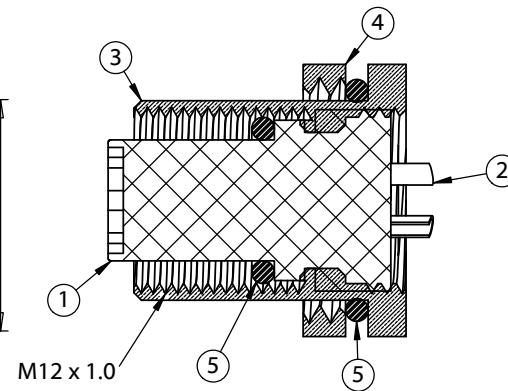
Wire gauge: 22 AWG max



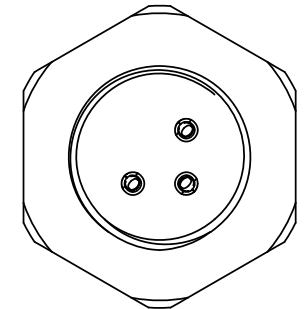
Front View



Panel cutout (PG9)  
Panel thickness (4.5mm max.)



SECTION A-A



Revision:	Date:	Description:
A	10/1/2020	Initial release

Prepared:	Notes:
Verified:	RoHS compliant
Dimensions are in millimeters. Tolerances: X: ± 0.3 mm X.X: ± 0.1 mm X.XX: ± 0.05 mm	Function test: no open, no short circuit, no intermittent
	Description: Connector, 3 pin M12 A-code socket, 12xL21.5mm, gold plated, panel mount, solder cup, IP67

Size:	Part number:
A	54-00240
Scale: 2:1	

# TENSILITY

tel 1.541.323.3228 800 877.670.7118  
fax 1.541.323.4202 web tensility.com



Sheet 1 of 1