

**Ratings**  
Voltage: 150 V  
Temperature: -40~70 °C

**Conductor**  
Conductor count: 7  
Gauge: 20 AWG 0.51 mm<sup>2</sup>  
Material: Tinned copper strands  
Strand size:  $\varnothing 0.1 \times 65$   
Resistance at 20 °C: 36.7 $\Omega$  /km max

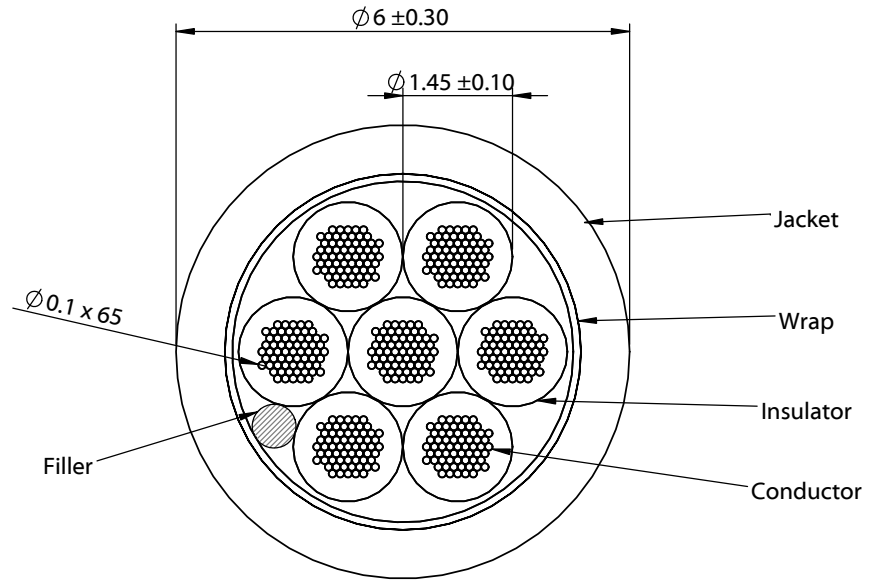
**Insulator**  
Material: HDPE  
Color: white, black, red, yellow, blue, green, orange  
Diameter:  $\varnothing 1.45 \pm 0.10$  mm  
Nominal thickness: 0.24 mm  
Resistance at 20 °C: 100 M $\Omega$  /km min

**Wrap**  
Material: cotton paper

**Filler**  
Material: aramid fiber

**Outer jacket**  
Material: TPU  
Color: white  
Diameter:  $\varnothing 6 \pm 0.30$  mm  
Nominal thickness: 0.70 mm

**Tests**  
Tensile strength: 26 kgf min  
Dielectric test: 1500 V dc for 1 minute without breakdown  
Bend test at 200 g,  $\pm 60^\circ$ , 30 cycles /min: 15,000 cycle minimum



Revision:	Date:	Description:
A	8/23/2022	Initial release

Prepared:
Verified:
Dimensions are in millimeters. Tolerances: X: $\pm 0.5$ mm X.X: $\pm 0.3$ mm X.XX: $\pm 0.05$ mm

Notes: RoHS compliant Jacket meets ISO 10993 Biological Compatibility Phthalate and halogen free Function test: no open, no short, no intermittent
Description: Wire, 7C TS, 20 AWG, 150V, 70C, 6.0 mm, TPU, 75A, white, WBL

# TENSILITY

tel 1.541.323.3228 800 877.670.7118  
fax 1.541.323.4202 web tensility.com

Size: A	Part number: 30-02815
Scale: 10:1	Sheet 1 of 1