

Ratings
Voltage: 150 V
Temperature: -40~70 °C

Conductor
Conductor count: 7
Gauge: 20 AWG 0.51 mm²
Material: Tinned copper strands
Strand size: $\varnothing 0.1 \times 65$
Resistance at 20 °C: 36.7 Ω /km max

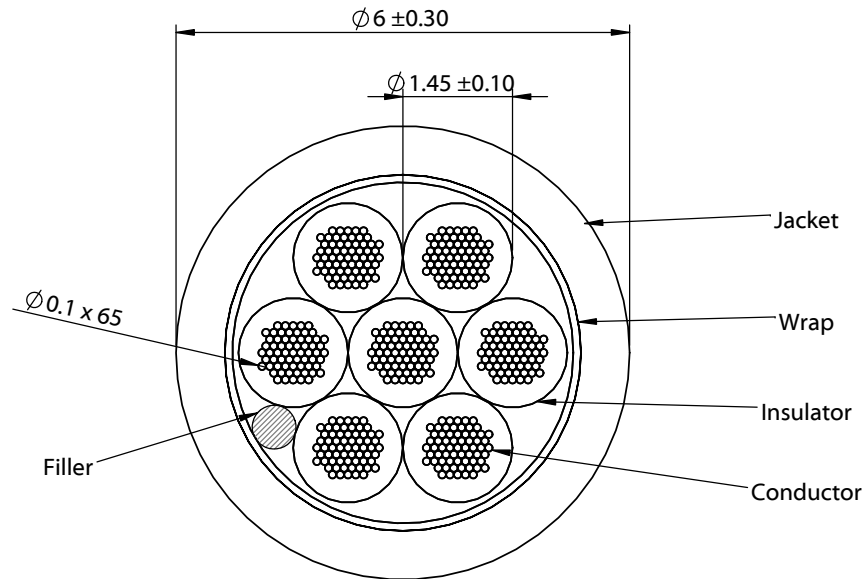
Insulator
Material: HDPE
Color: white, black, red, yellow, blue, green, orange
Diameter: $\varnothing 1.45 \pm 0.10$ mm
Nominal thickness: 0.24 mm
Resistance at 20 °C: 100 M Ω /km min

Wrap
Material: cotton paper

Filler
Material: aramid fiber

Outer jacket
Material: TPU
Color: black
Diameter: $\varnothing 6 \pm 0.30$ mm
Nominal thickness: 0.70 mm

Tests
Tensile strength: 26 kgf min
Dielectric test: 1500 V dc for 1 minute without breakdown
Bend test at 200 g, $\pm 60^\circ$, 30 cycles /min: 15,000 cycle minimum



Revision:	Date:	Description:	Prepared:	Notes: RoHS compliant Jacket meets ISO 10993 Biological Compatibility Phthalate and halogen free Function test: no open, no short, no intermittent	<h1>TENSILITY</h1> tel 1.541.323.3228 800 877.670.7118 fax 1.541.323.4202 web tensility.com
A	8/23/2022	Initial release	Verified:		
			Dimensions are in millimeters. Tolerances: X: ± 0.5 mm X.X: ± 0.3 mm X.XX: ± 0.05 mm	Description: Wire, 7C TS, 20 AWG, 150V, 70C, 6.0 mm, TPU, 75A, WBL	Size: A
					Part number: 30-02671
					Scale: 10:1
					Sheet 1 of 1