

Ratings

Voltage: 300V
 Temperature: -40~105 °C
 Flammability: VW-1

Conductor

Conductor count: 3
 Gauge: 20 AWG 0.52 mm²
 Material: tinned copper strands
 Strand size: \varnothing 0.127 mm x 41
 Resistance at 20 °C: 36.7 Ω /km max

Insulator

Material: FEP
 Color: red, black, white
 Diameter: \varnothing 1.25 \pm 0.10
 Nominal thickness: 0.13 mm
 Resistance at 20 °C: 10 M Ω /km min

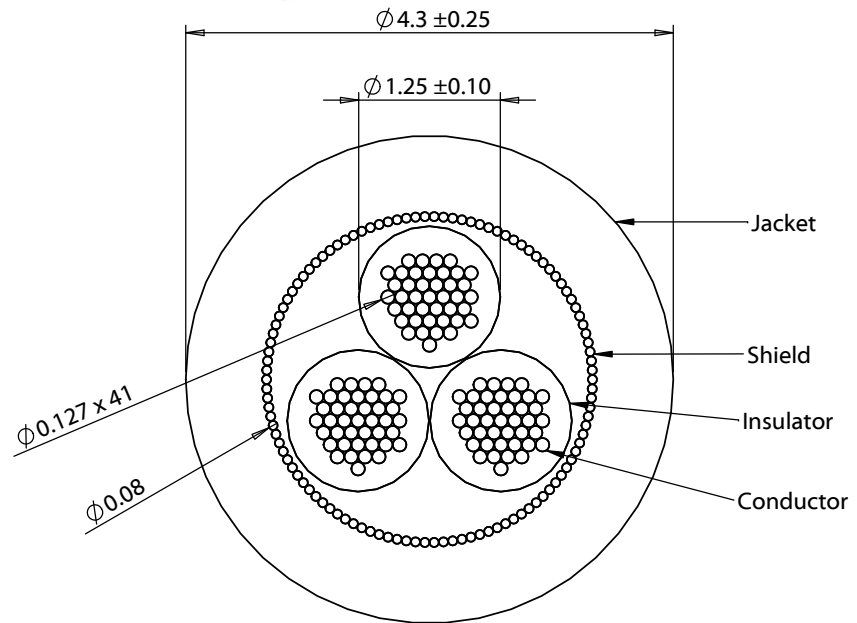
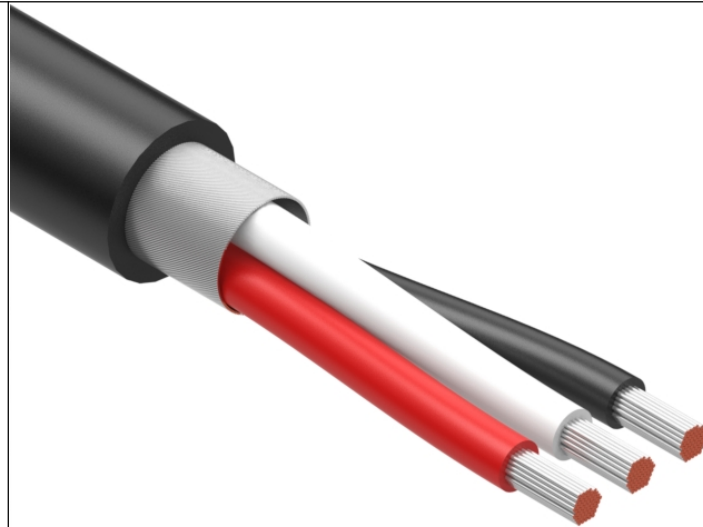
Shield



Material: tinned copper strands
 Strand size: \varnothing 0.08 mm, 85% min coverage

Outer jacket

Material: TPE, 78A
 Color: Black, matte
 Diameter: \varnothing 4.3 \pm 0.25
 Nominal thickness: 0.6 mm

Wire marking: E339579 UL AWM STYLE 21296 20 AWG 105°C
 300V VW-1 --- cUL AWM I A 105°C 300V FT1 TENSILITY DGT



Revision:	Date:	Description:	Prepared:	Notes: RoHS compliant Phthalate free Function test: no open, no short circuit, no intermittent	TENSILITY tel 1.541.323.3228 800 877.670.7118 fax 1.541.323.4202 web tensility.com
A	10/05/2021	Initial release	Verified:		
			Dimensions are in millimeters. Tolerances: X: \pm 0.5 mm X.X: \pm 0.3 mm X.XX: \pm 0.05 mm	Description:	Size: Part number:
				Wire, 3C TS, 20 AWG, UL 21296, 300V, 105C, 4.3 mm, shielded, VW-1, TPE	A 30-02419
				Scale: 15:1	  Sheet 1 of 1

4

4

3

2

1