

**Ratings**

Voltage: 300 V  
 Temperature: -40~80 °C  
 Flammability: FT2

**Conductor**

Conductor count: 3  
 Gauge: 26 AWG 0.15 mm<sup>2</sup>  
 Material: bare copper  
 Strand size:  $\phi 0.1 \times 19$  mm  
 Resistance at 20 °C: 140  $\Omega$  /km max

**Insulator**

Material: TPE 85A  
 Color: Color: red, black, white  
 Diameter:  $\phi 1 \pm 0.08$  mm  
 Nominal thickness: 0.24mm  
 Resistance at 20 °C: 100 M $\Omega$  /km min

**Wrap**

Material: cotton paper

**Outer jacket**

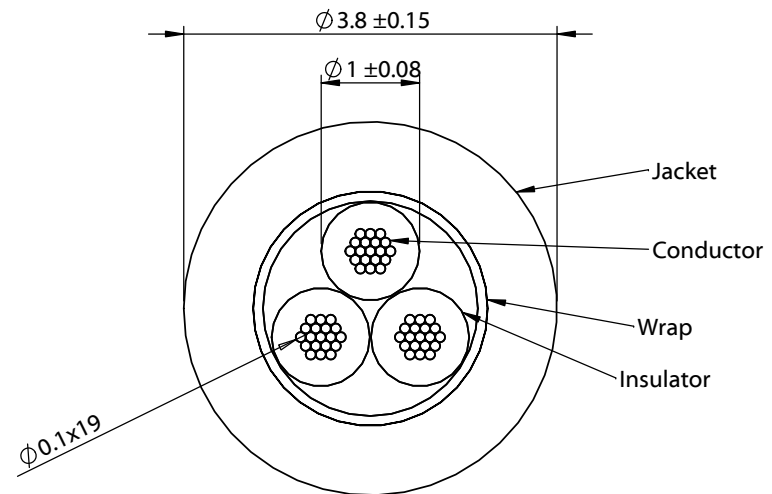
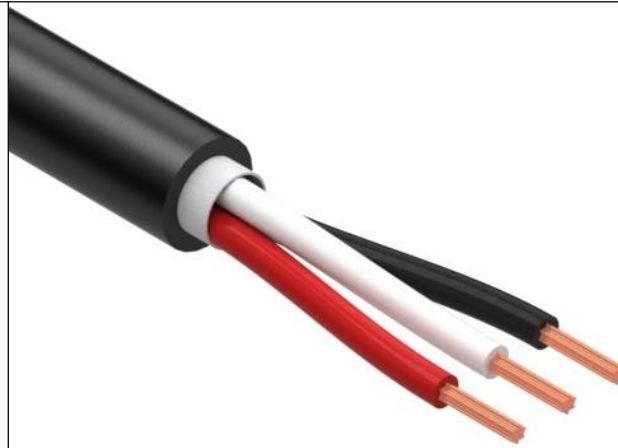
Material: TPU (Polyether Polyurethane) 80A  
 Color: black  
 Diameter:  $\phi 3.8 \pm 0.15$  mm  
 Nominal thickness: 0.76mm

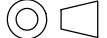
**Wire marking**

E339579 UL AWM STYLE 20280 26 AWG 80°C 300V --- cUL  
 AWM I/II A 80°C 300V FT2 TENSILITY

**Tests**

Spark test: 3.0 kV  
 Insulation tensile strength: 0.562 kgf/mm<sup>2</sup>  
 Jacket tensile strength: 1.05 kgf/mm<sup>2</sup>  
 After aging at 113  $\pm 2$  °C for 7 days:  
 Minimum jacket tensile strength 70 % original  
 Minimum insulation tensile strength 75 % original  
 Minimum jacket elongation 65 % original  
 Minimum insulation elongation 75 % original  
 Heat shock: 121  $\pm 1$  °C /1 hour, no observed degradation  
 Deformation: 121  $\pm 1$  °C /1 hour,  $\leq 50$  %  
 Cold bend: -10  $\pm 2$  °C /1 hour, no observed cracking  
 Dielectric test: 2000 Vac for 1 minute without breakdown



Revision:	Date:	Description:	Prepared:	Notes:	<b>TENSILITY</b> tel 1.541.323.3228 800 877.670.7118 fax 1.541.323.4202 web tensility.com
A	11/15/2022	Initial release	Verified:	RoHS compliant Phthalate and halogen free	
			Dimensions are in millimeters. Tolerances: X: $\pm 0.5$ mm X.X: $\pm 0.3$ mm X.XX: $\pm 0.05$ mm	Function test: no open, no short circuit, no intermittent	Size: Part number: A 30-02347
				Description: Wire, 3C BC, 26 AWG, UL20280, 300V, 80C, 3.8 mm, FT2, TPU	Scale: 13:1  Sheet 1 of 1

5

4

3

2

1