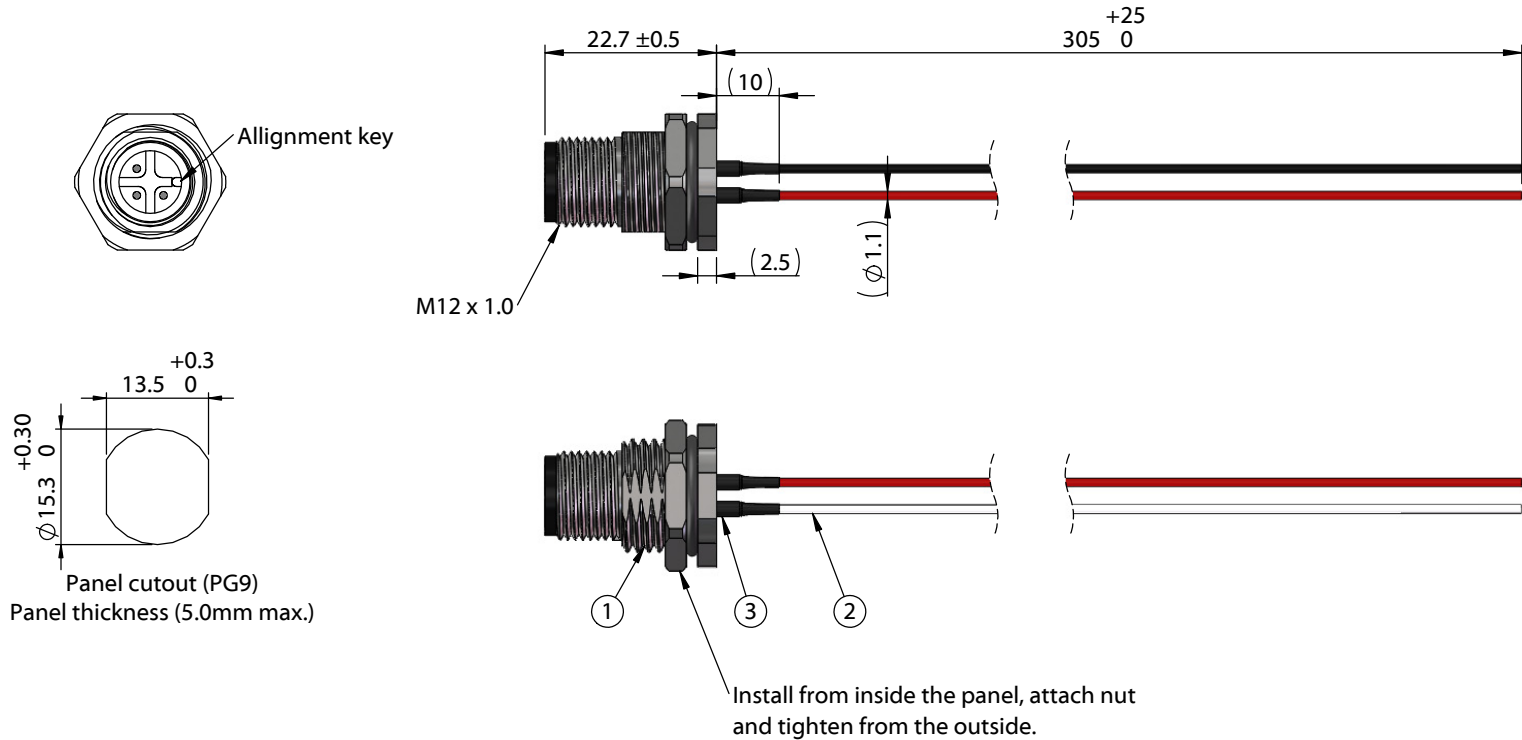


ITEM NO.	PART NUMBER	DESCRIPTION	QTY.	COMPONENT NOTES
1	54-00194	Connector, 3 pin M12 A-code plug, 12xL24mm, gold plated, panel mount, solder cup, IP67	1	nut and o-ring included
2	Wire	Wire, hook-up, TS, 24 AWG, UL 11028, 600V, 105C, 1.1 mm, mPPE	3	color: red, black, white
3	Heat shrink	Heat shrink, UL, black	3	covers solder joints

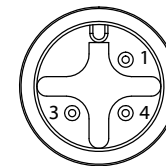


Notes:

Cable rated for 250 V, 4 A
Temperature: -40 ~ 105 °C

IP67 waterproof rating when mated with corresponding (IP67) connector and installed properly in panel

Cables individually packaged in PE bag
Functionally equivalent components may be substituted



Front View
Not to Scale

Wiring Diagram	
54-00194	wire color (P/N)
1	red (30-01762)
3	black (30-01763)
4	white (30-01764)

Revision:	Date:	Description:	Prepared:	Notes:	<h1>TENSILITY</h1> <p>tel 1.541.323.3228 800 877.670.7118 fax 1.541.323.4202 web tensility.com</p>
A	11/8/2022	Initial release	Verified:	RoHS compliant	
			Dimensions are in millimeters. Tolerances: X: ± 0.5 mm X.X: ± 0.3 mm X.XX: ± 0.05 mm	Function test: no open, no short circuit, no intermittent	
				Description: Cable, 305 mm, M12 3C plug panel mount 54-00194 to blunt cut, 24 AWG, UL 11028 hook-up wire	
				Size:	Part number:
				A	10-05264
				Scale: 1:1	Sheet 1 of 1