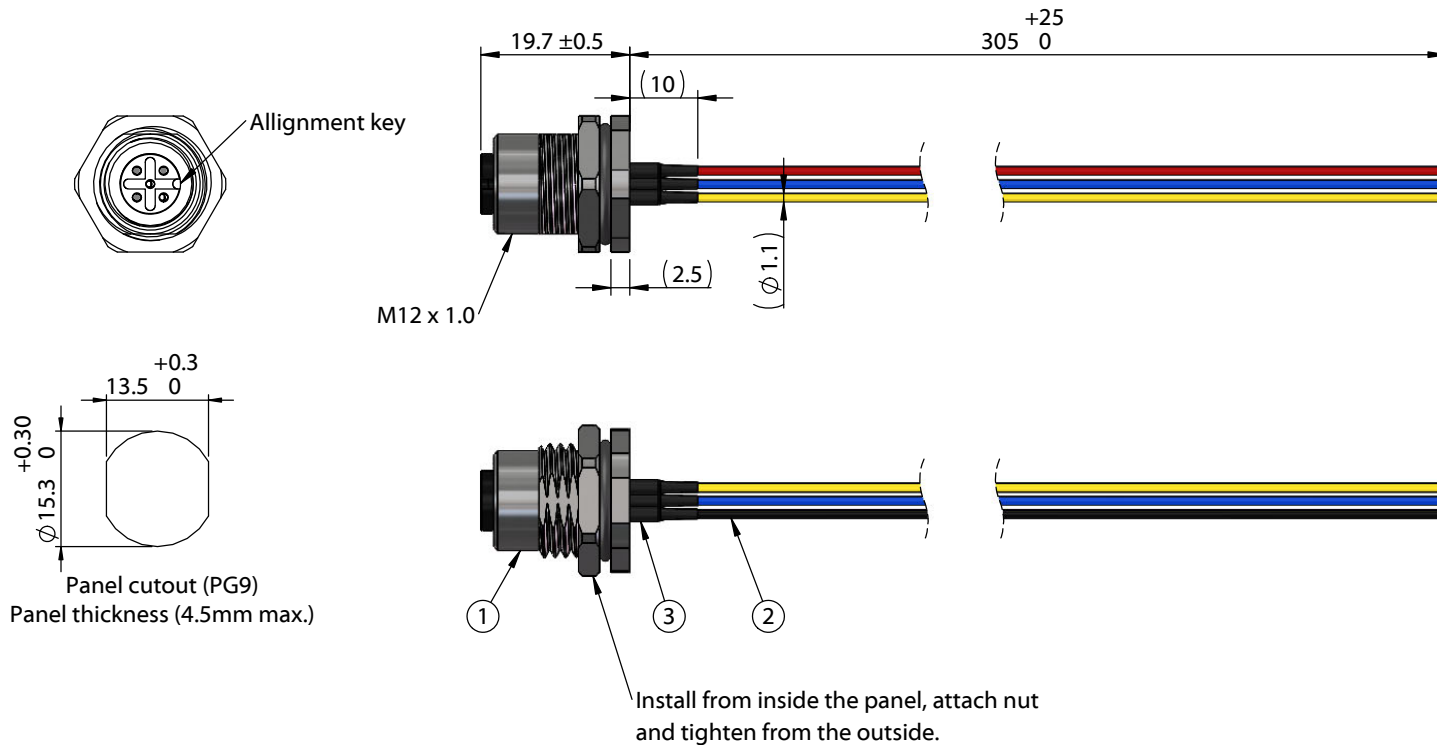


ITEM NO.	PART NUMBER	DESCRIPTION	QTY.	COMPONENT NOTES
1	54-00242	Connector, 5 pin M12 A-code socket, 12xL21.5mm, gold plated, panel mount, solder cup, IP67	1	nut and o-ring included
2	Wire	Wire, hook-up, TS, 24 AWG, UL 11028, 600V, 105C, 1.1 mm, mPPE	5	color: red, yellow, black, white, blue
3	Heat shrink	Heat shrink, UL, black	5	covers solder joints

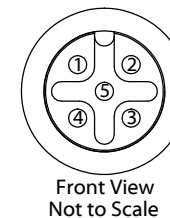


Notes:

Cable rated for 60 V, 4 A
Temperature: -40 ~ 105 °C

IP67 waterproof rating when mated with corresponding (IP67) connector and installed properly in panel

Cables individually packaged in PE bag
Functionally equivalent components may be substituted



Wiring Diagram	
54-00242	wire color (P/N)
1	red (30-01762)
2	yellow (30-01765)
3	black (30-01763)
4	white (30-01764)
5	blue (30-01766)

Revision:	Date:	Description:	Prepared:	Notes:	<h1>TENSILITY</h1> <p>tel 1.541.323.3228 800 877.670.7118 fax 1.541.323.4202 web tensility.com</p>				
A	11/7/2022	Initial release	Verified:			RoHS compliant			
			Dimensions are in millimeters. Tolerances: X: ± 0.5 mm X.X: ± 0.3 mm X.XX: ± 0.05 mm	Function test: no open, no short circuit, no intermittent	<table border="1"> <tr> <td>Size:</td> <td>Part number:</td> </tr> <tr> <td>A</td> <td>10-05261</td> </tr> </table>	Size:	Part number:	A	10-05261
Size:	Part number:								
A	10-05261								
				Description: Cable, 305 mm, M12 5C socket panel mount 54-00242 to blunt cut, 24 AWG, UL 11028 hook-up wire	<table border="1"> <tr> <td>Scale:</td> <td>1:1</td> <td></td> <td>Sheet 1 of 1</td> </tr> </table>	Scale:	1:1		Sheet 1 of 1
Scale:	1:1		Sheet 1 of 1						

5

4

3

2

1