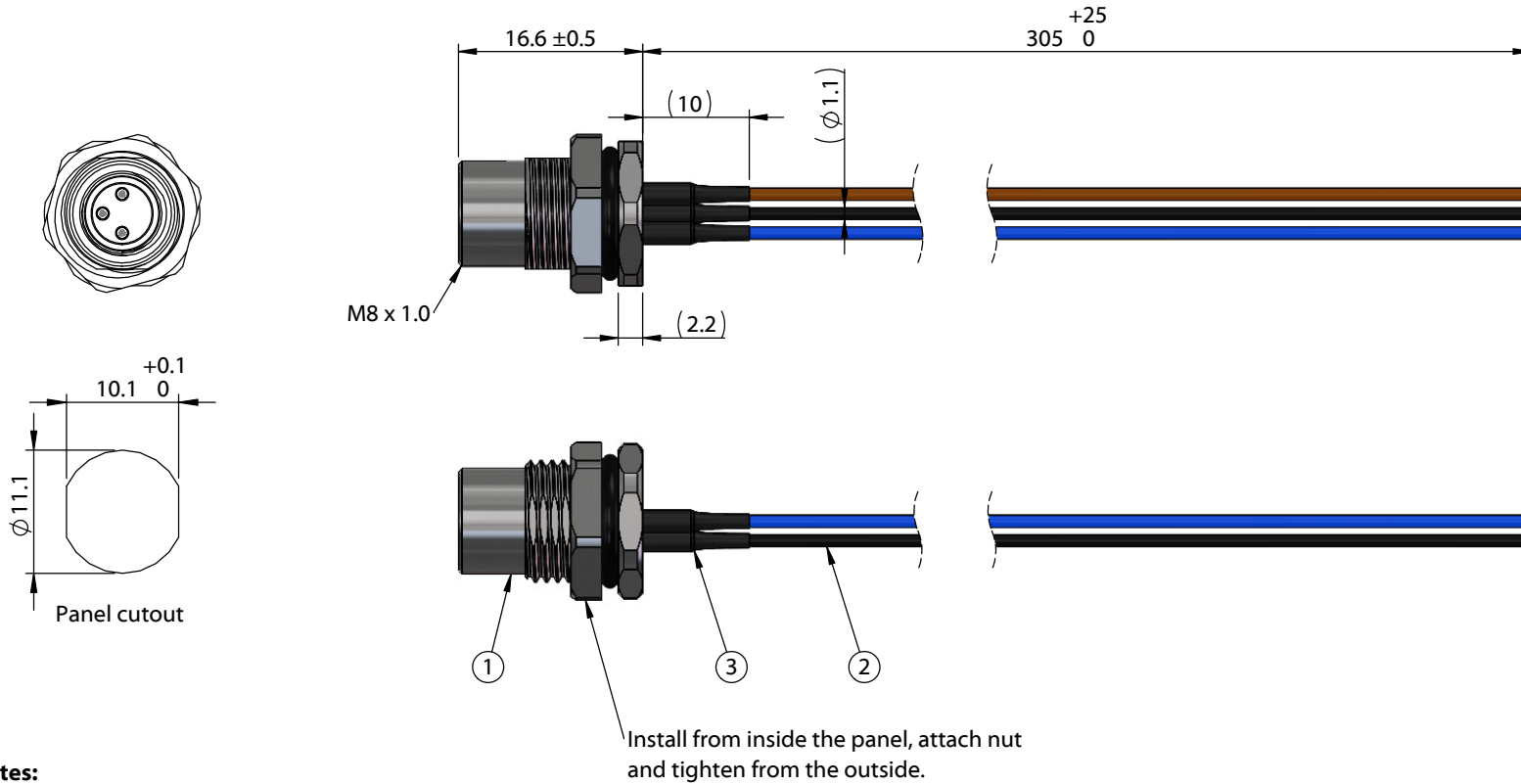


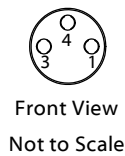
| ITEM NO. | PART NUMBER | DESCRIPTION | QTY. | COMPONENT NOTES |
|----------|-------------|--|------|---------------------------|
| 1 | 54-00292 | Connector, 3 pin M8 A-code socket, 8x18.7 mm, gold plated, panel mount, solder cup, IP67 | 1 | nut and o-ring included |
| 2 | Wire | Wire, hook-up, TS, 24 AWG, UL 11028, 600V, 105C, 1.1 mm, mPPE | 3 | color: brown, blue, black |
| 3 | Heat shrink | Heat shrink, UL, black | 3 | covers solder joints |



Notes:
 Cable rated for 60 V, 3 A
 Temperature: -40 ~ 105 °C

IP67 waterproof rating when mated with corresponding (IP67) connector and installed properly in panel

Cables individually packaged in PE bag
 Functionally equivalent components may be substituted



| Wiring Diagram | |
|----------------|------------------|
| 54-00292 | wire color (P/N) |
| 1 | brown (30-01771) |
| 3 | blue (30-01766) |
| 4 | black (30-01763) |

| | | | | |
|-----------|-----------|-----------------|--|--|
| Revision: | Date: | Description: | Prepared: | Notes: |
| A | 11/3/2022 | Initial release | Verified: | |
| | | | Dimensions are in millimeters. Tolerances: X: ± 0.5 mm X.X: ± 0.3 mm X.XX: ± 0.05 mm | Description: Cable, 305 mm, M8 3C socket panel mount 54-00292 to blunt cut, 24 AWG, UL 11028 hook-up wire |
| | | | | |

TENSILITY

tel 1.541.323.3228 800 877.670.7118
 fax 1.541.323.4202 web tensility.com

| | |
|--------------|--------------|
| Size: | Part number: |
| A | 10-05255 |
| Scale: 1.5:1 | Sheet 1 of 1 |