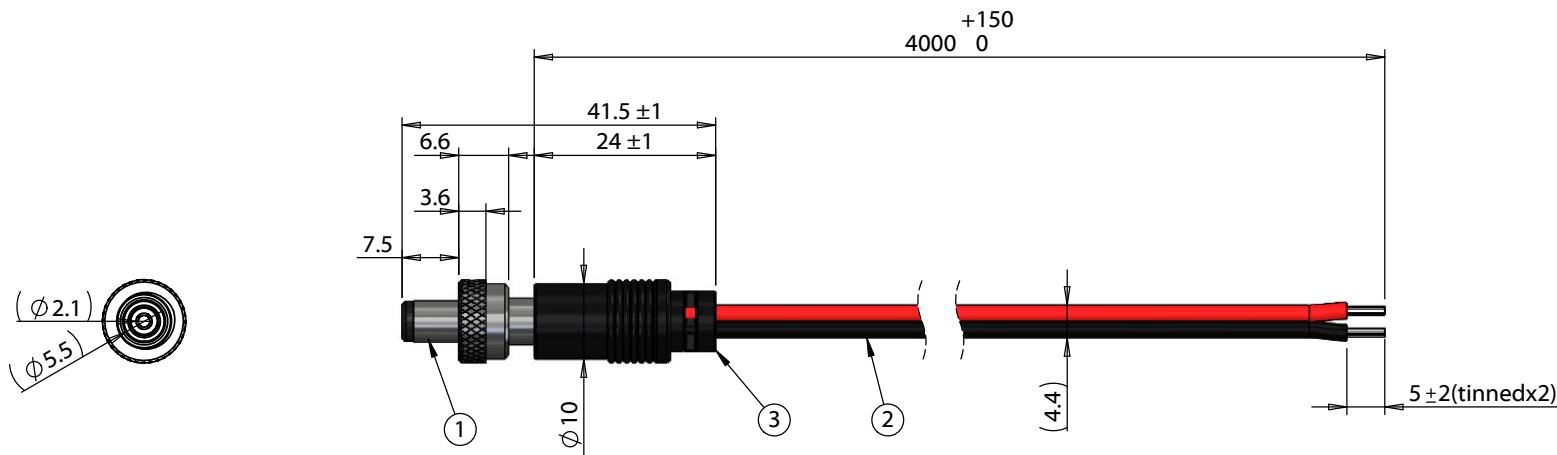


ITEM NO.	PART NUMBER	DESCRIPTION	QTY.	NOTES
1	50-00010	Connector, dc plug, 5.5x2.1xBL7.5xL30 locking style, brass nickel plated, threaded nut 5/16-32	1	
2	30-00415	Wire, 2C TS, 18 AWG, UL2468, 300V, 80°C, 4.4 mm, VW-1, PVC, red and black	1	
3	24-00016	Overmold, PVC, black	1	



Notes:
Cable rated for 48 V, 8 A

Hi-Pot test: 600 Vac, 0.5 mA, 1 second

Wiring Diagram	
50-00010	wire color
center	red
sleeve	black

Revision:	Date:	Description:	Prepared:	Notes:	<h1>TENSILITY</h1> <p>tel 1.541.323.3228 800 877.670.7118 fax 1.541.323.4202 web tensility.com</p>
A	11/2/2022	Initial release	Verified:	RoHS compliant	
			Dimensions are in millimeters.	Function test: no open, no short circuit, no intermittent	
			Tolerances: X: ± 0.5 mm X.X: ± 0.3 mm X.XX: ± 0.05 mm	Description: Cable, 4000 mm, 5.5x2.1x7.5mm 50-00010 locking dc plug to 5mm tinned, 18 AWG, UL2468, 30-00415, r&b	
Scale: 1:1		Part number: 10-05236		Sheet 1 of 1	

5 4 3 2 1