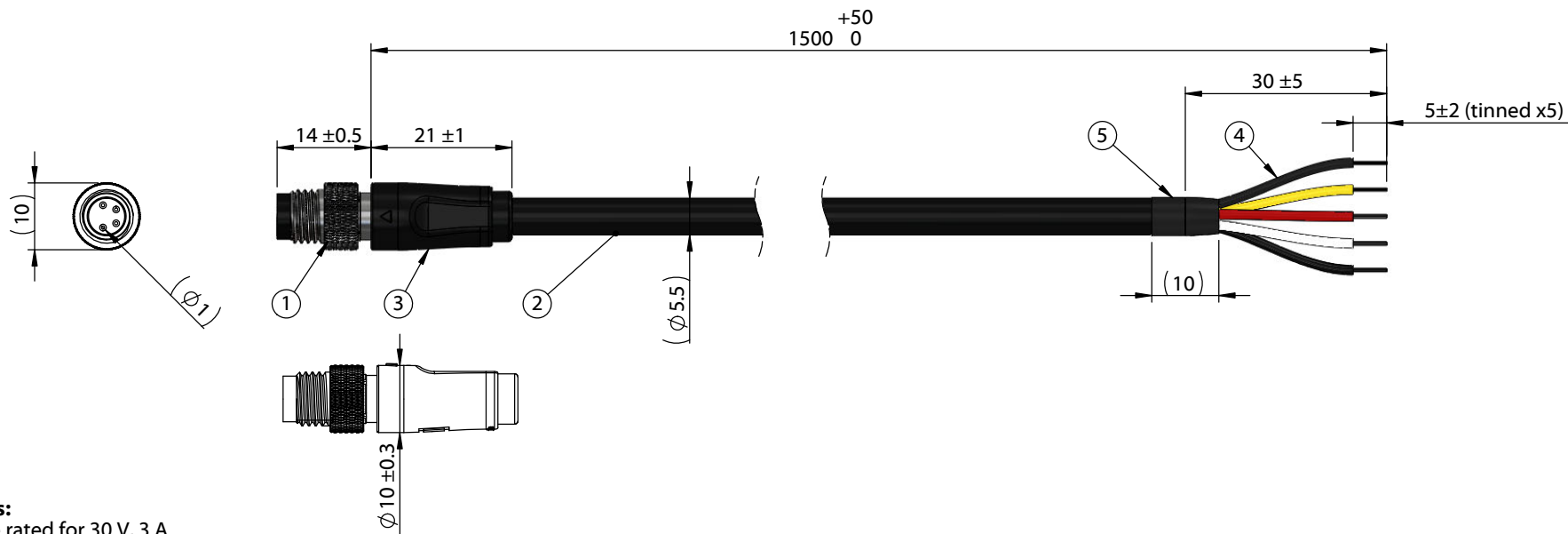


| ITEM NO. | PART NUMBER | DESCRIPTION  | QTY. | COMPONENT NOTES      |
|----------|-------------|--|------|----------------------|
| 1        | 50-00680    | Connector, 4 pin M8 A-code plug, 8x19.2 mm, gold plated, molding style, solder cup, IP67, shielded | 1    |                      |
| 2        | 30-01579    | Wire, 4C TS, 24 AWG, UL20387, 300V, 105C, 60C oil, UV, 5.5 mm, shielded, VW-1, PVC, 80A, black     | 1    |                      |
| 3        | 24-00378    | Overmold, M8 plug and jack, 180°   | 1    | PVC, black           |
| 4        | Heat Shrink | Heat shrink, black   | 1    | Covers drain         |
| 5        | Heat Shrink | Heat shrink, black   | 1    | Covers end of jacket |

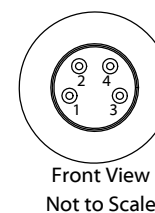


**Notes:**

Cable rated for 30 V, 3 A  
 Temperature: -40 ~ 105 °C  
 Oil resistant up to 60 °C  
 Water resistant up to 75 °C  
 UV resistant

IP67 waterproof rating when mated with corresponding (IP67) connector

Functionally equivalent components may be substituted



| Wiring Diagram |              |
|----------------|--------------|
| 50-00680       | wire color   |
| 1              | red          |
| 2              | yellow       |
| 3              | black        |
| 4              | white        |
| Shell          | shield/drain |

|           |         |                 |  |  |
|-----------|---------|-----------------|--|--|
| Revision: | Date:   | Description:    | Prepared:  | Notes:<br>RoHS compliant<br>Function test: no open, no short circuit, no intermittent    |
| A         | 1/24/22 | Initial release | Verified:  |  |
|           |         |                 | Dimensions are in millimeters.<br>Tolerances:<br>X: ± 0.5 mm<br>X.X: ± 0.3 mm<br>X.XX: ± 0.05 mm |  |
|           |         |                 | Description:   | Cable, 1500mm, 1.0 mm 4C 50-00680 M8 plug to 5mm tinned, 24 AWG, 30-01579 wire, shielded |

**TENSILITY**

tel 1.541.323.3228 800 877.670.7118  
 fax 1.541.323.4202 web tensility.com

|            |              |
|------------|--------------|
| Size:      | Part number: |
| A          | 10-04147     |
| Scale: 1:1 | Sheet 1 of 1 |