

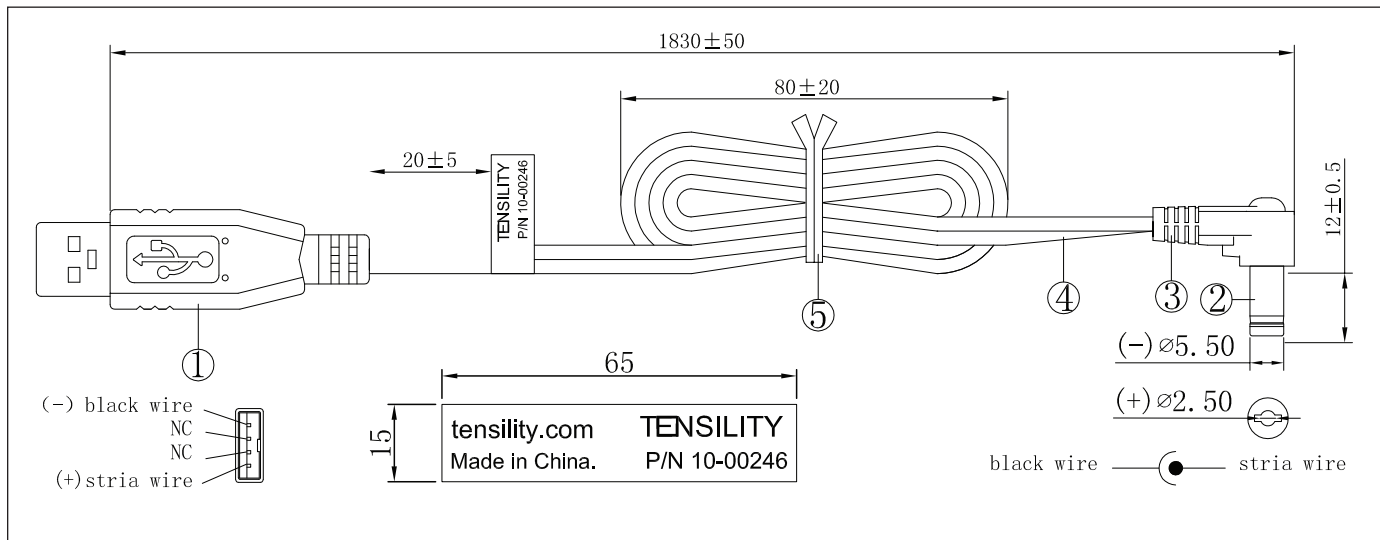
### Specifications:

connector description (1)	USB-A plug; inner mold: 30P, PVC, black; outer mold: 60P, PVC, black
connector description (2)	dc plug, 5.5x2.5x123 mm, molding style, spring contacts, black insulator, P/N 50-00026
overmold (3)	30P, PVC, black, UL94V0
wire description (4)	UL2468, 0.16 x 17 strands, 2 conductor, twin wire
cable outer diameter	Ø3.6 (1.8 x 2) mm
cable color	black
cable gauge	AWG #22
cable length	1830 ± 50 mm
twist tie (5)	black, 89 ± 3 mm
rated load	1 A at 5 Vdc

### Notes:

Function test: no open, no reversed polarity, no short circuit, no INT  
 Hi-POT test: 600 Vac, 0.5 mA, 1 sec.  
 RoHS compliant

### Mechanical drawing:



Initial	Date
---------	------

tolerance X: ±0.5 mm .X: ±0.3 mm .XX: ±0.05 mm  
 applicable unless otherwise indicated in specification or on drawings

**Revision notes:**

Rev	Date	Description
A	November 10, 2009	initial release
A1	March 18, 2010	label drawing added
A2	September 6, 2011	updated specifications

**Specification Approval**

Spec sign-off verifies that you have reviewed the entire specification, tested a sample of the product, and confirm that it meets your requirements. This specification reflects the part as it will be ordered. Orders will not be processed until the specification pages have been initialed and the approval page has been signed. This specification is confidential and is not to be transmitted without prior approval from Tensility.

Signature \_\_\_\_\_

Title \_\_\_\_\_

Name \_\_\_\_\_

Date \_\_\_\_\_