

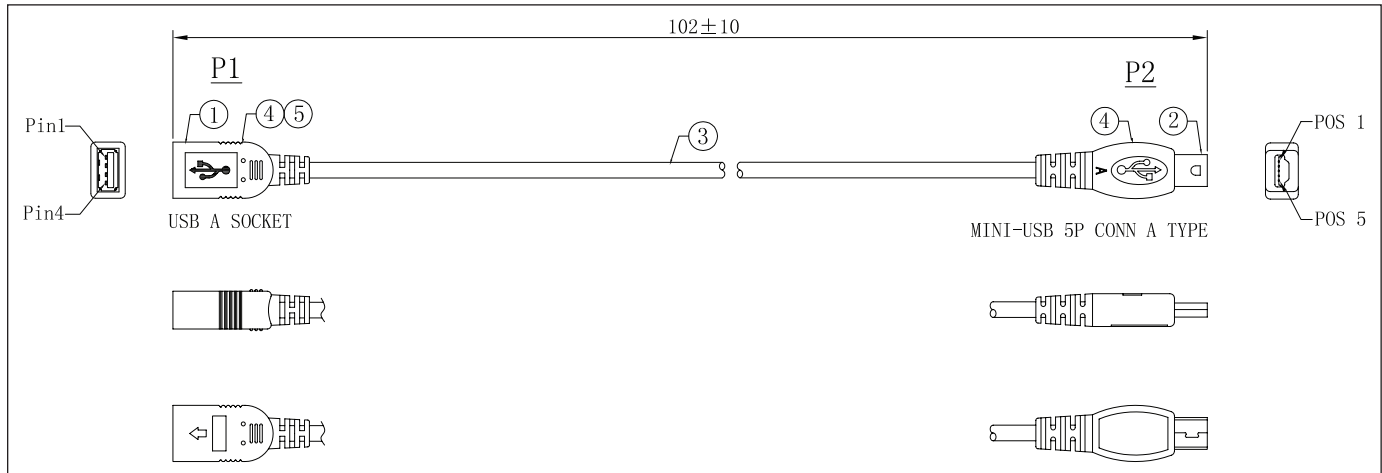
### Specifications:

connector description (1)	USB socket, A type, 4 position, 3~5u" gold plating, white insulator, nickel shell, overmold
connector description (2)	mini-USB socket, A type, 5 position, 3~5u" gold plating, white insulator, nickel shell
wire description (3)	4C, 1PR+2C, 28 AWG, UL2725, 30V, 80C, 3.6 mm, AL spiral + DW, VW-1, high-speed USB 2.0, white, P/N 30-00145
cable outer diameter	Ø3.6 mm
cable color	white
cable gauge	28 AWG
overmold (4)	molded white (HT027) PVC, 45 P
overmold (5)	clear PE

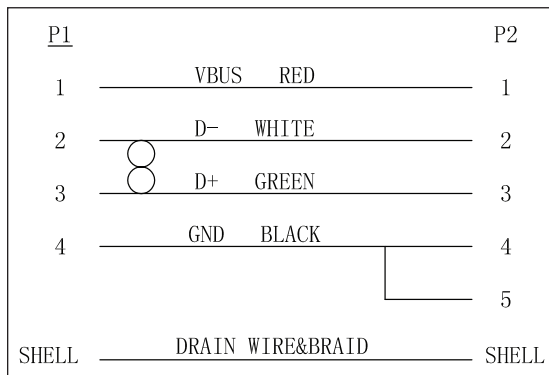
### Notes:

Function test: no open, no reversed polarity, no short circuit, no INT  
 RoHS compliant

### Mechanical drawing:



### Wiring diagram:



<b>Initial</b>	<b>Date</b>
----------------	-------------

tolerance X: ±0.5 mm .X: ±0.3 mm .XX: ±0.05 mm  
 applicable unless otherwise indicated in specification or on drawings

**Revision notes:**

Rev	Date	Description
A	December 12, 2008	initial release
A1	November 17, 2011	updated wire diagram
A2	November 30, 2011	updated description to show wire part number

**Specification Approval**

Spec sign-off verifies that you have reviewed the entire specification, tested a sample of the product, and confirm that it meets your requirements. This specification reflects the part as it will be ordered. Orders will not be processed until the specification pages have been initialed and the approval page has been signed. This specification is confidential and is not to be transmitted without prior approval from Tensility.

Signature \_\_\_\_\_

Title \_\_\_\_\_

Name \_\_\_\_\_

Date \_\_\_\_\_

Company \_\_\_\_\_

Branch \_\_\_\_\_